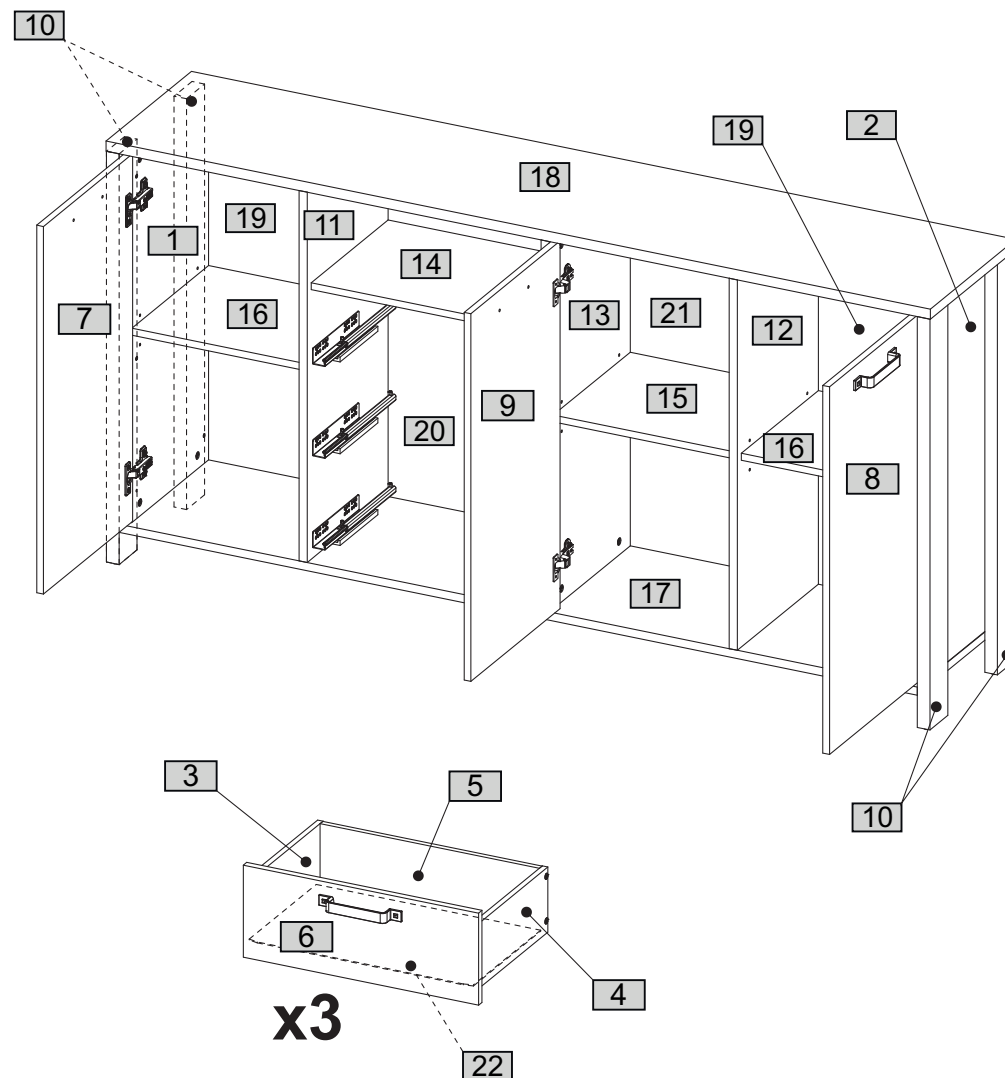
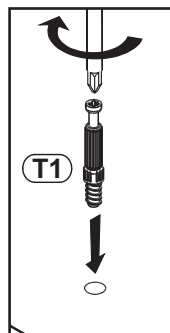
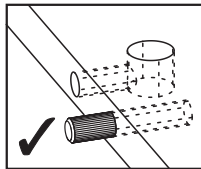
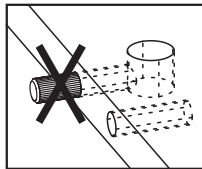
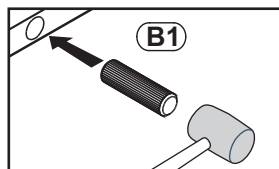
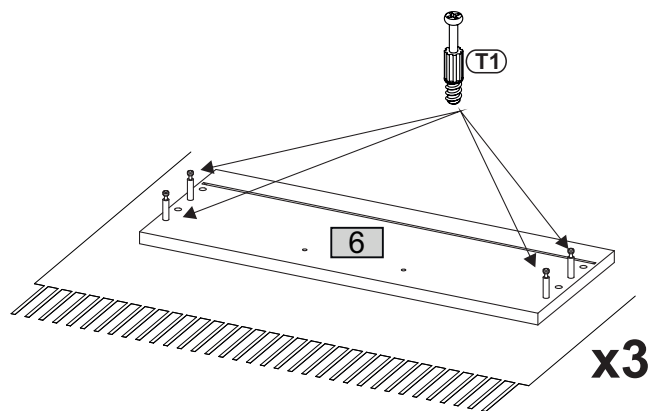
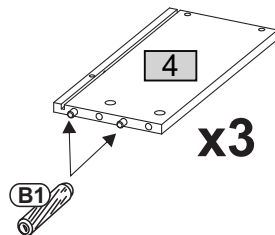
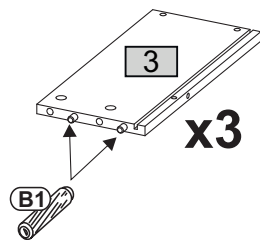
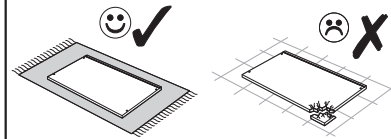
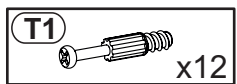
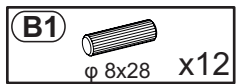


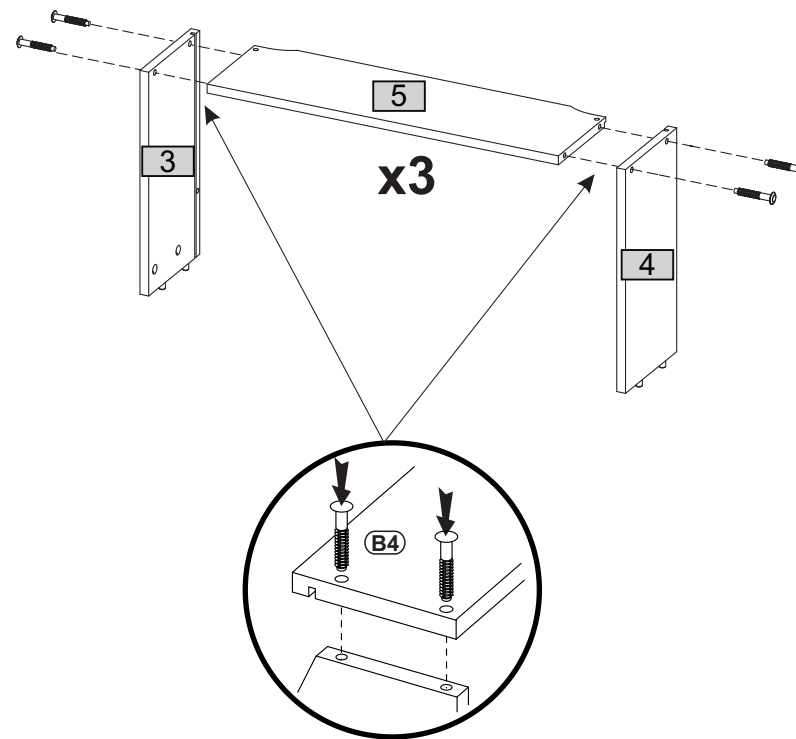
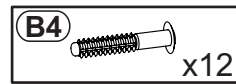
| Nr | Ausmaß | | | St | Colli |
|----|--------|-----|----|----|-------|
| 1 | 807 | 362 | 18 | 1 | 1 |
| 2 | 807 | 362 | 18 | 1 | 1 |
| 3 | 300 | 140 | 12 | 3 | 3 |
| 4 | 300 | 140 | 12 | 3 | 3 |
| 5 | 481 | 140 | 12 | 3 | 3 |
| 6 | 516 | 198 | 15 | 3 | 1 |
| 7 | 801 | 396 | 15 | 1 | 2 |
| 8 | 801 | 396 | 15 | 1 | 2 |
| 9 | 801 | 396 | 15 | 1 | 2 |
| 10 | 895 | 80 | 28 | 4 | 1 |
| 11 | 807 | 359 | 18 | 1 | 1 |
| 12 | 807 | 359 | 18 | 1 | 1 |
| 13 | 807 | 359 | 18 | 1 | 1 |
| 14 | 520 | 342 | 15 | 1 | 2 |
| 15 | 400 | 342 | 15 | 1 | 2 |
| 16 | 381 | 342 | 15 | 2 | 2 |
| 17 | 1774 | 380 | 18 | 1 | 3 |
| 18 | 1832 | 380 | 22 | 1 | 3 |
| 19 | 821 | 397 | 2 | 2 | 2 |
| 20 | 821 | 536 | 2 | 1 | 1 |
| 21 | 821 | 416 | 2 | 1 | 1 |
| 22 | 299 | 492 | 2 | 3 | 3 |



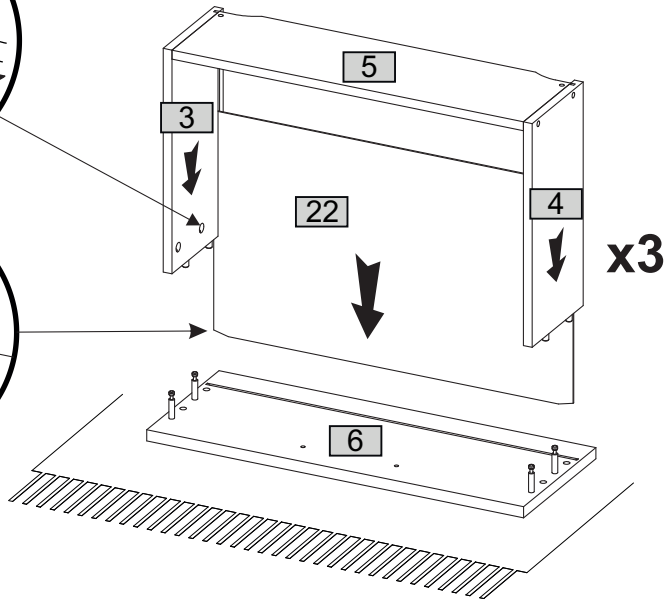
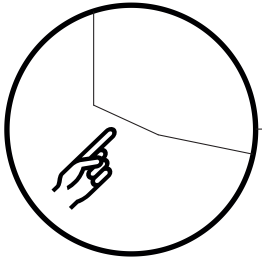
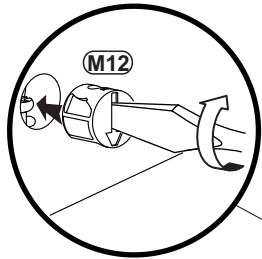
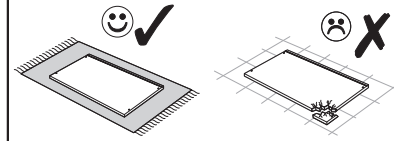
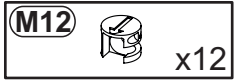
1



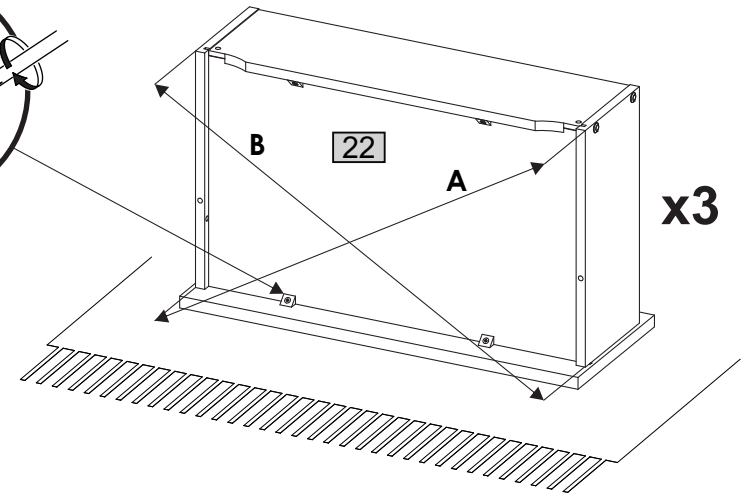
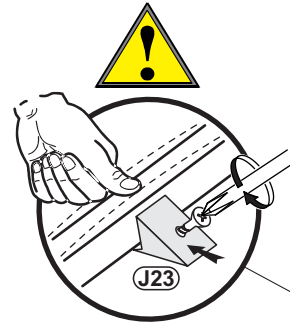
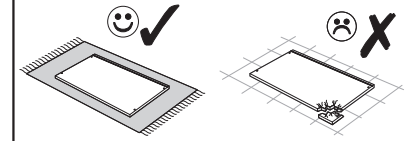
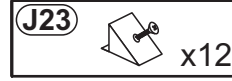
2



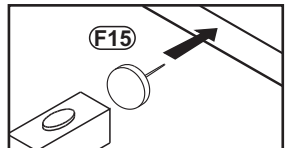
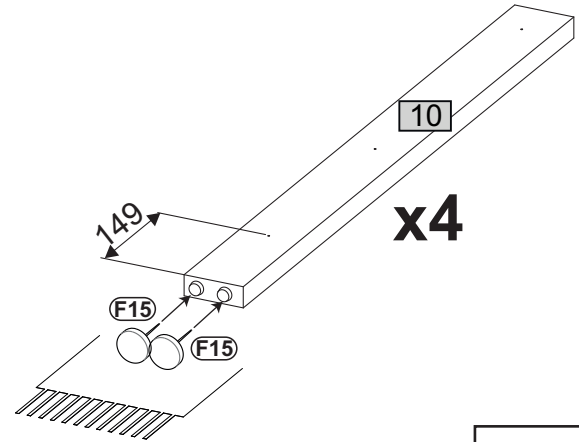
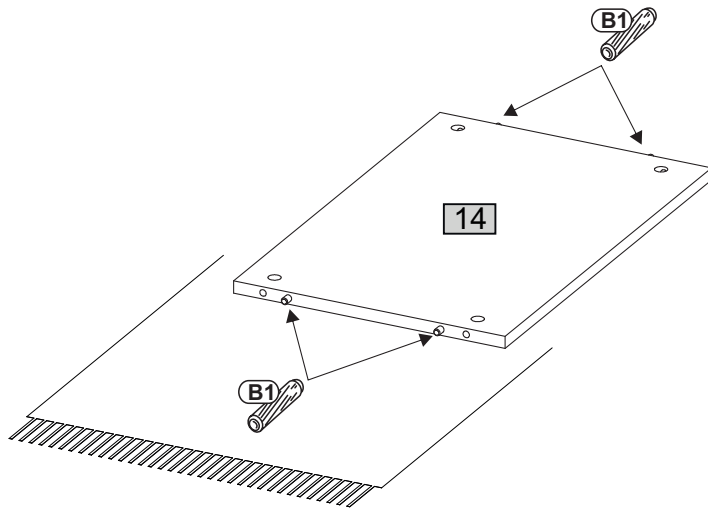
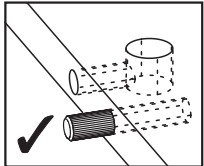
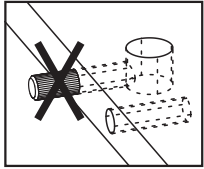
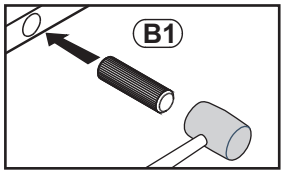
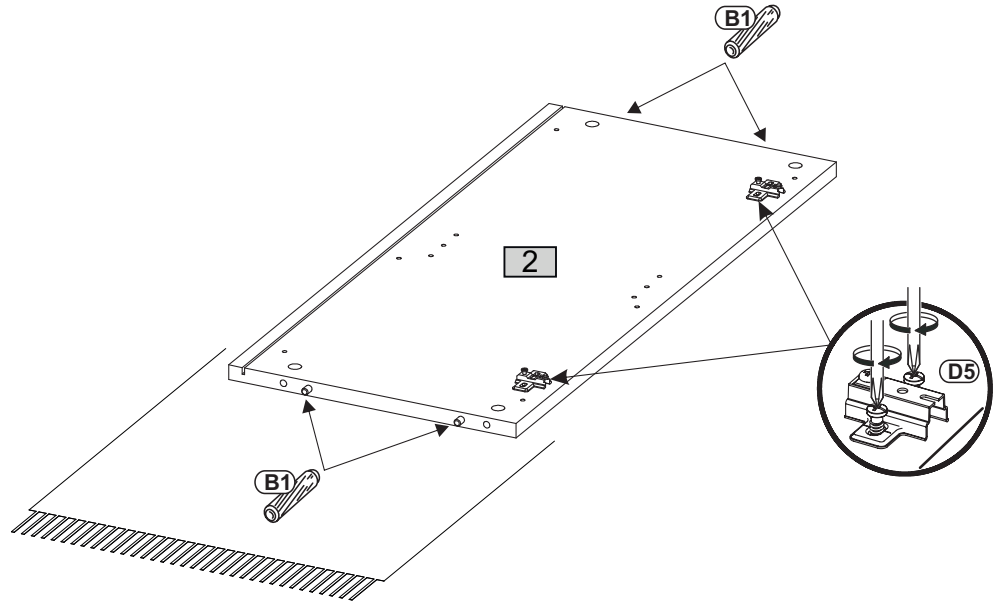
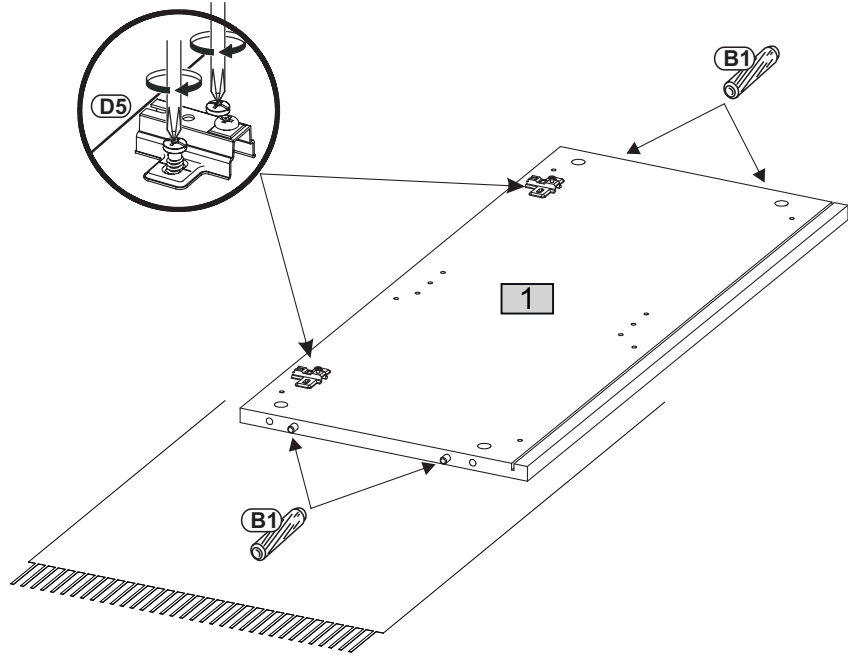
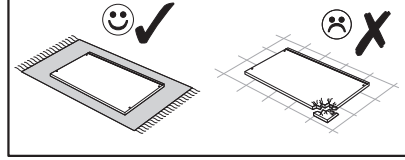
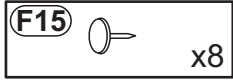
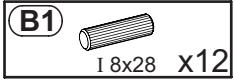
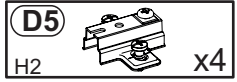
3



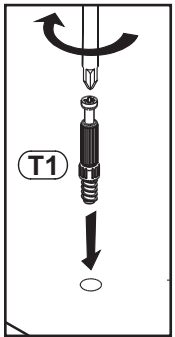
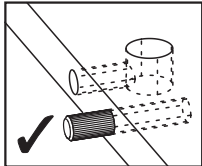
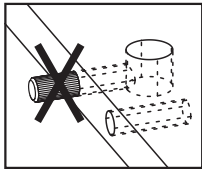
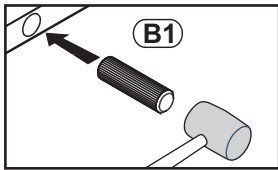
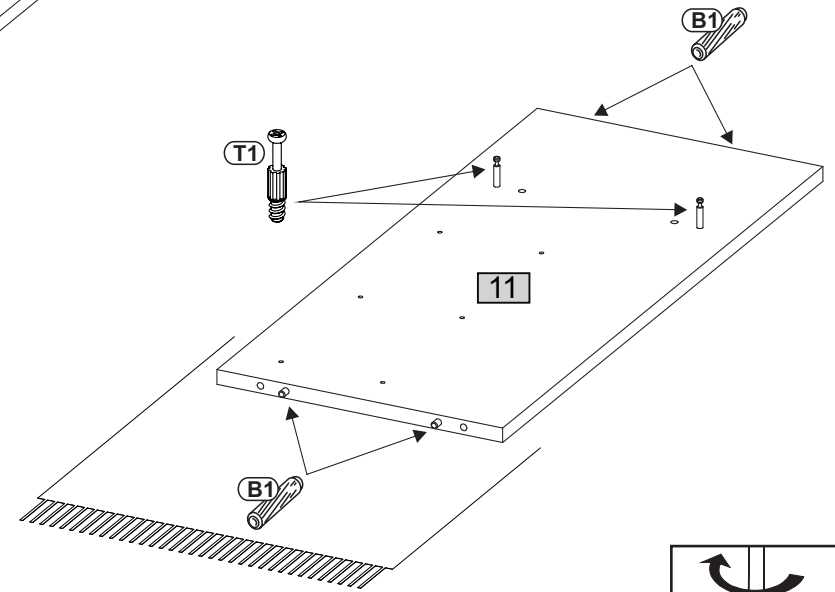
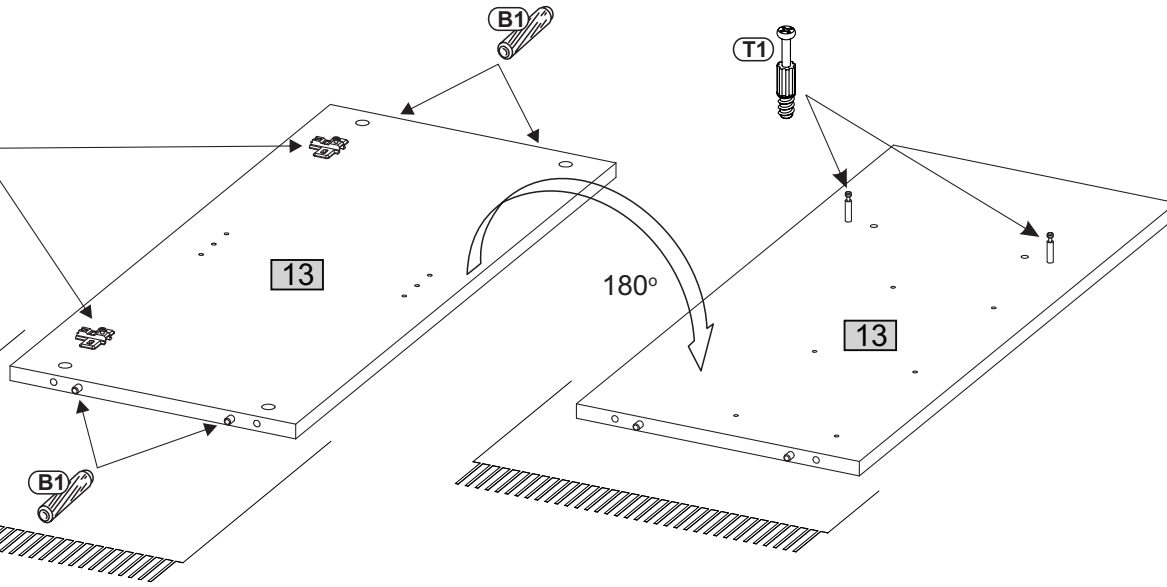
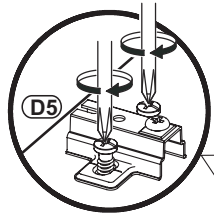
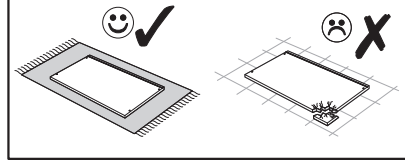
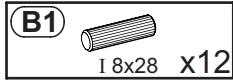
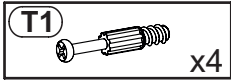
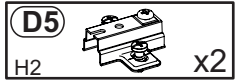
4



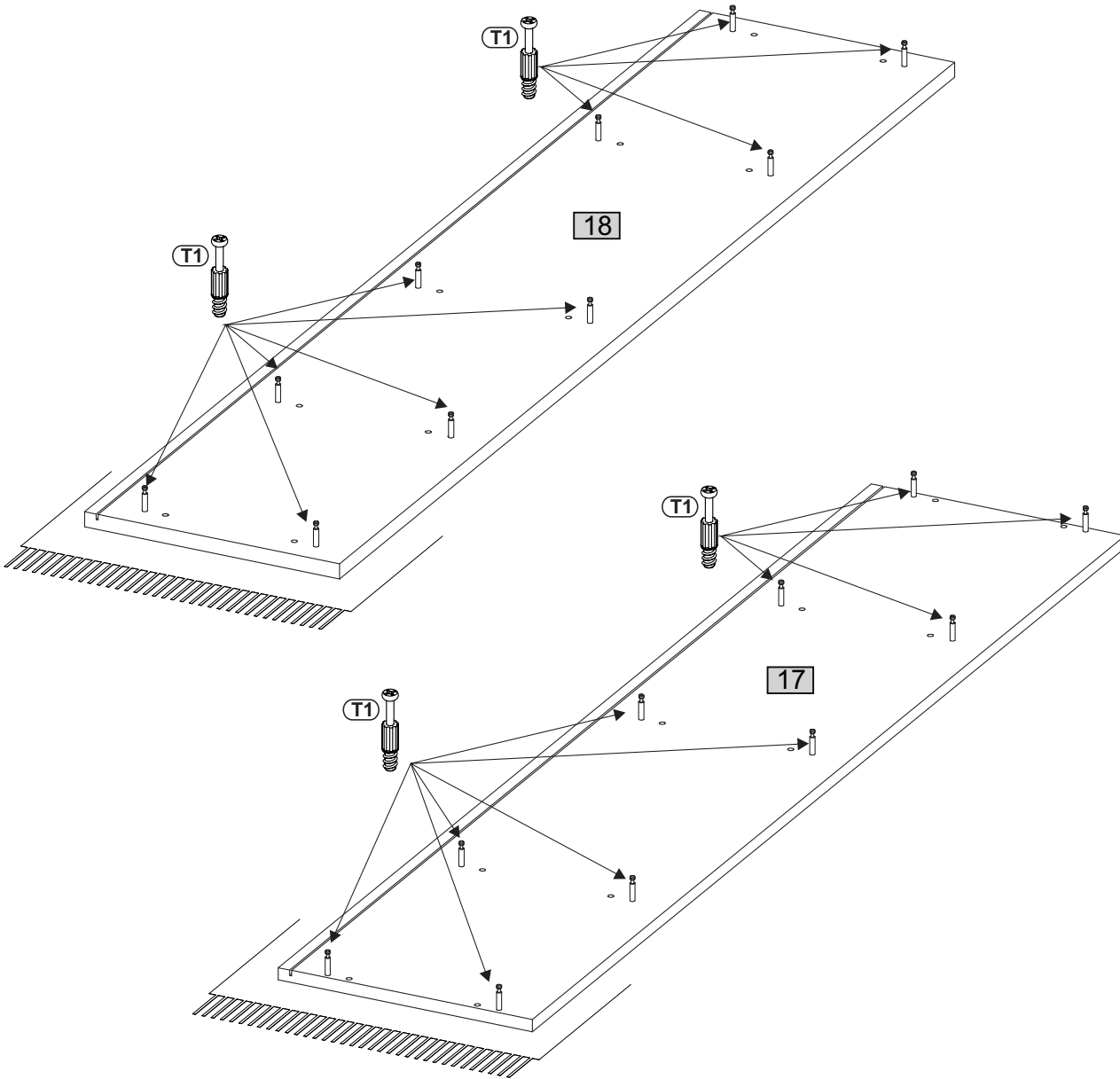
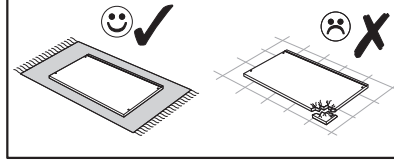
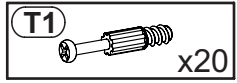
5



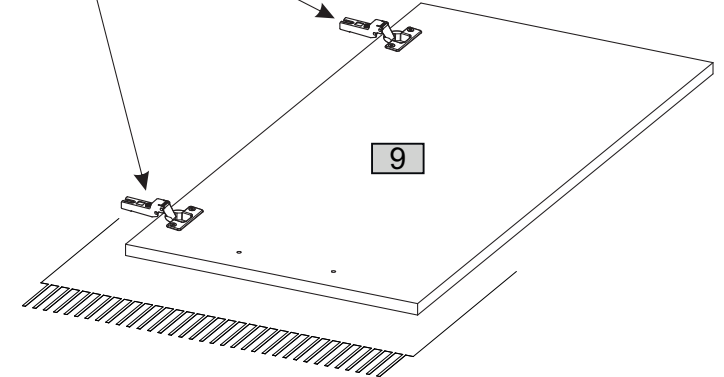
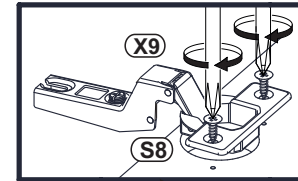
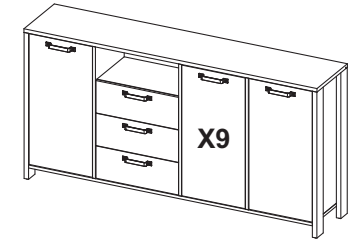
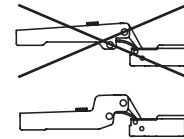
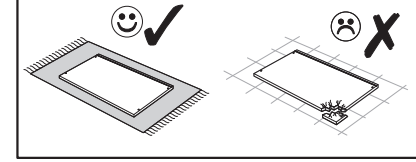
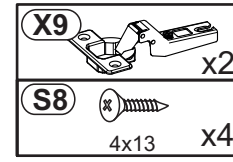
6



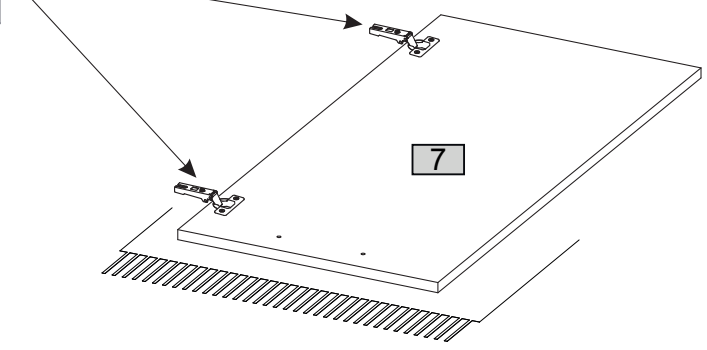
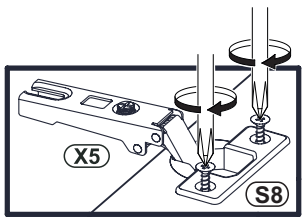
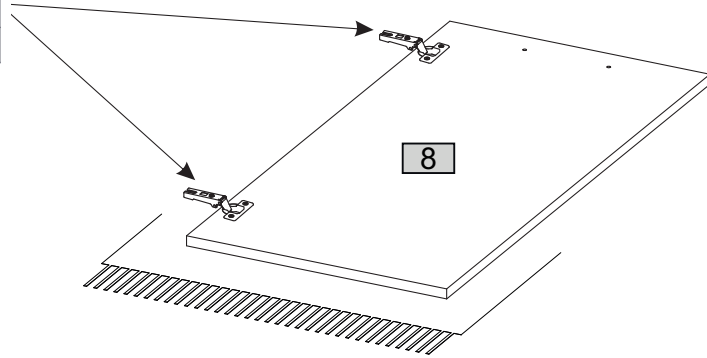
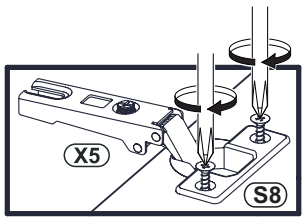
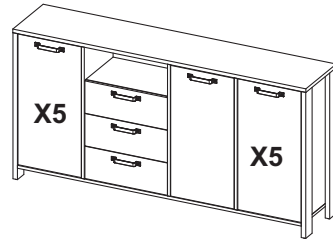
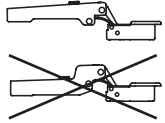
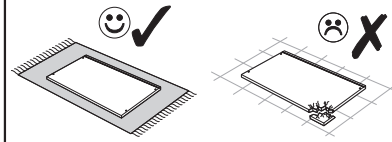
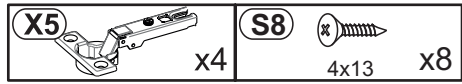
7



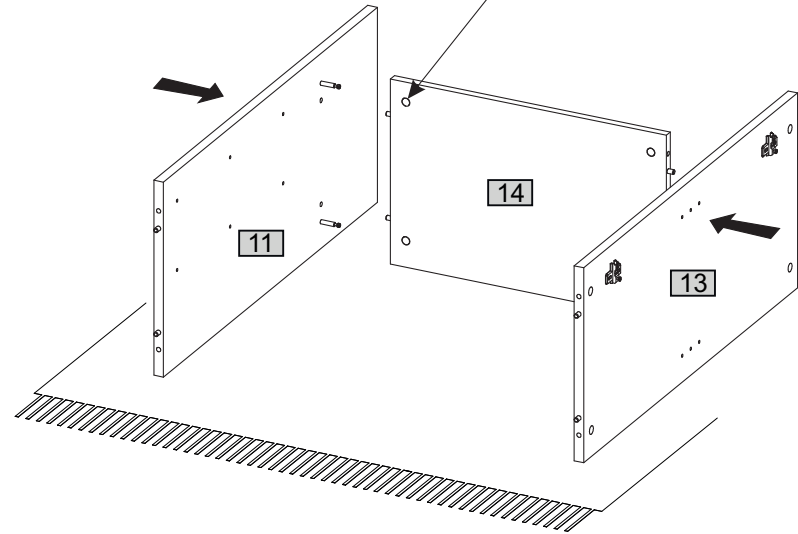
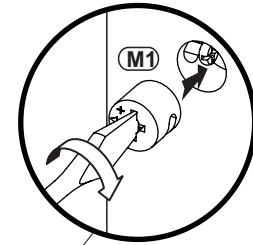
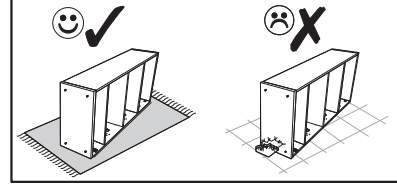
8



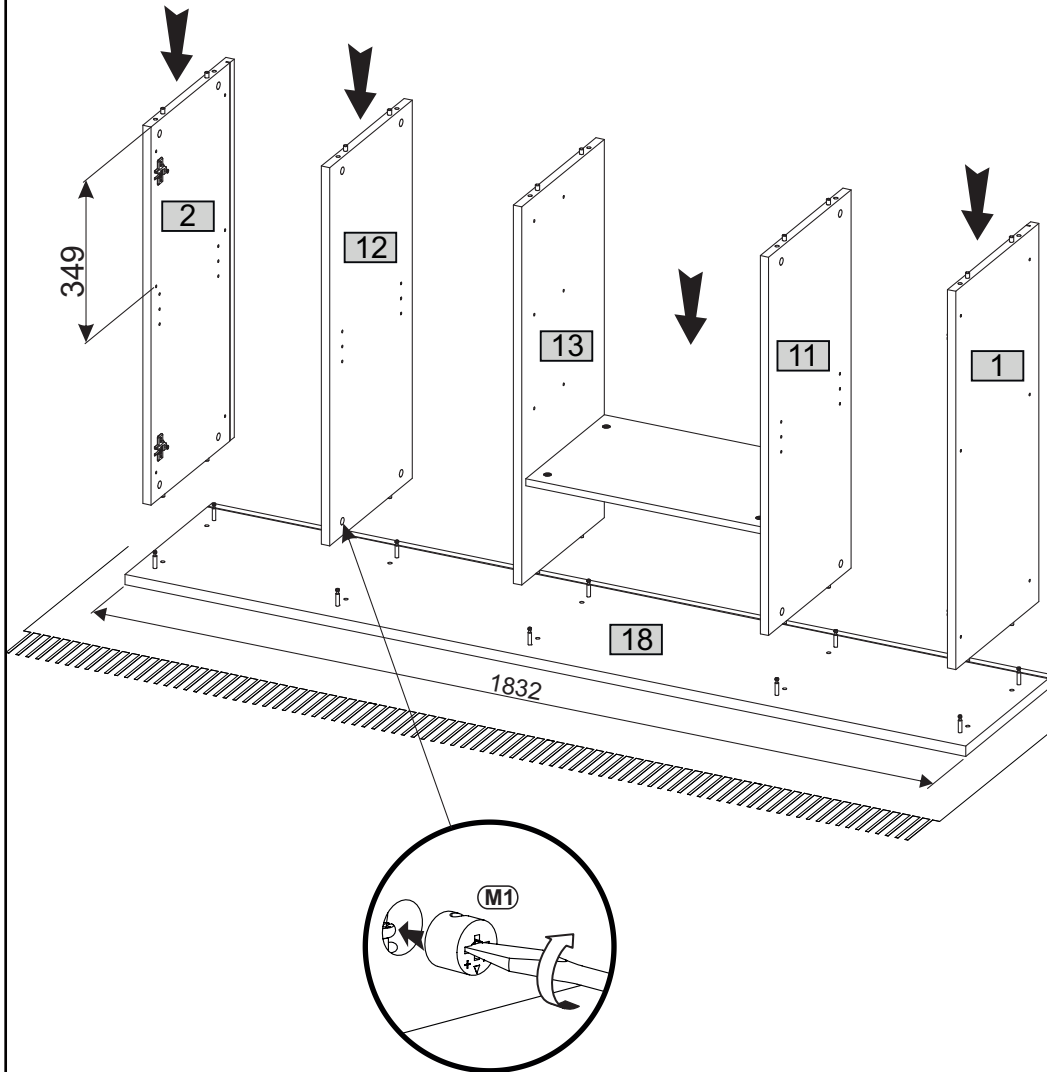
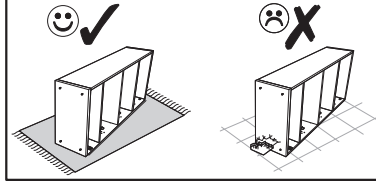
9



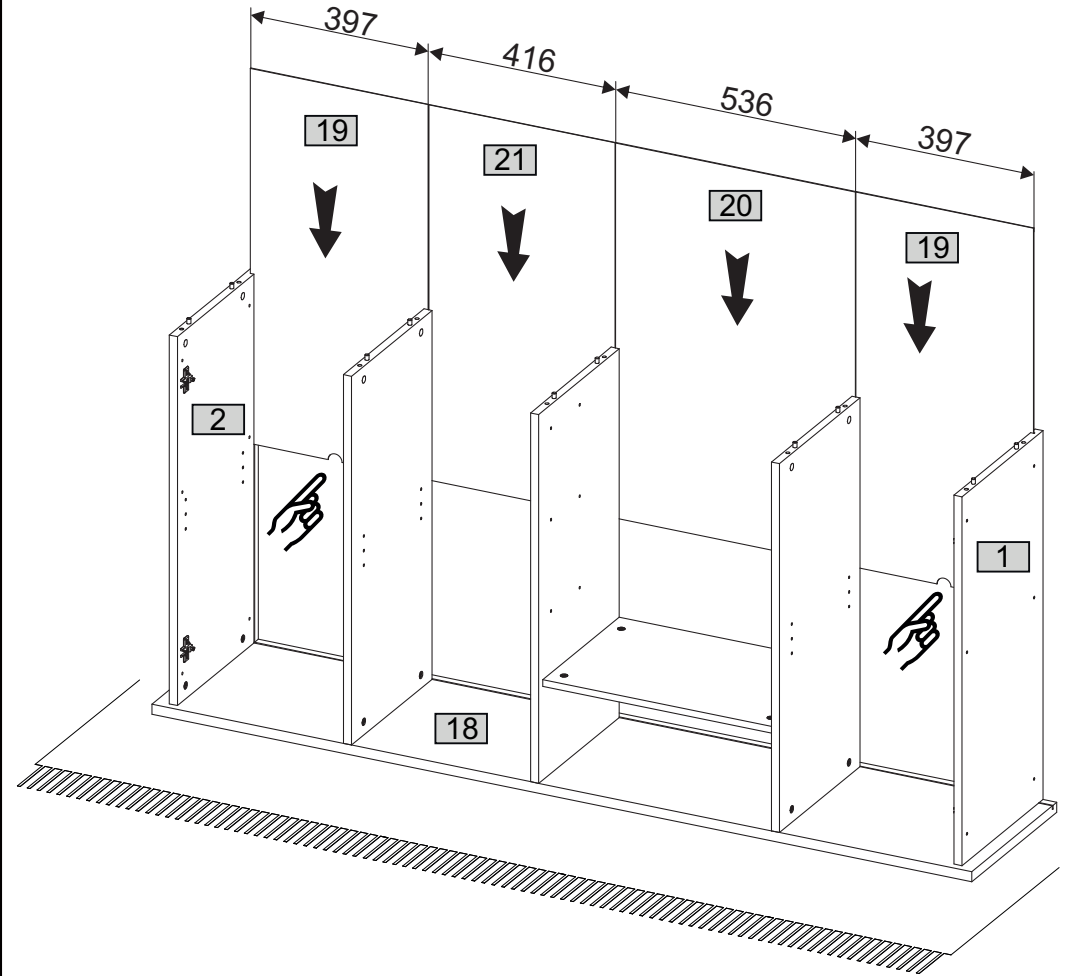
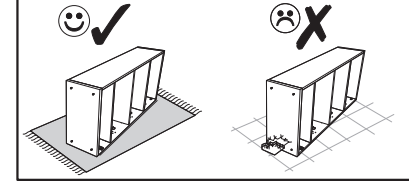
10



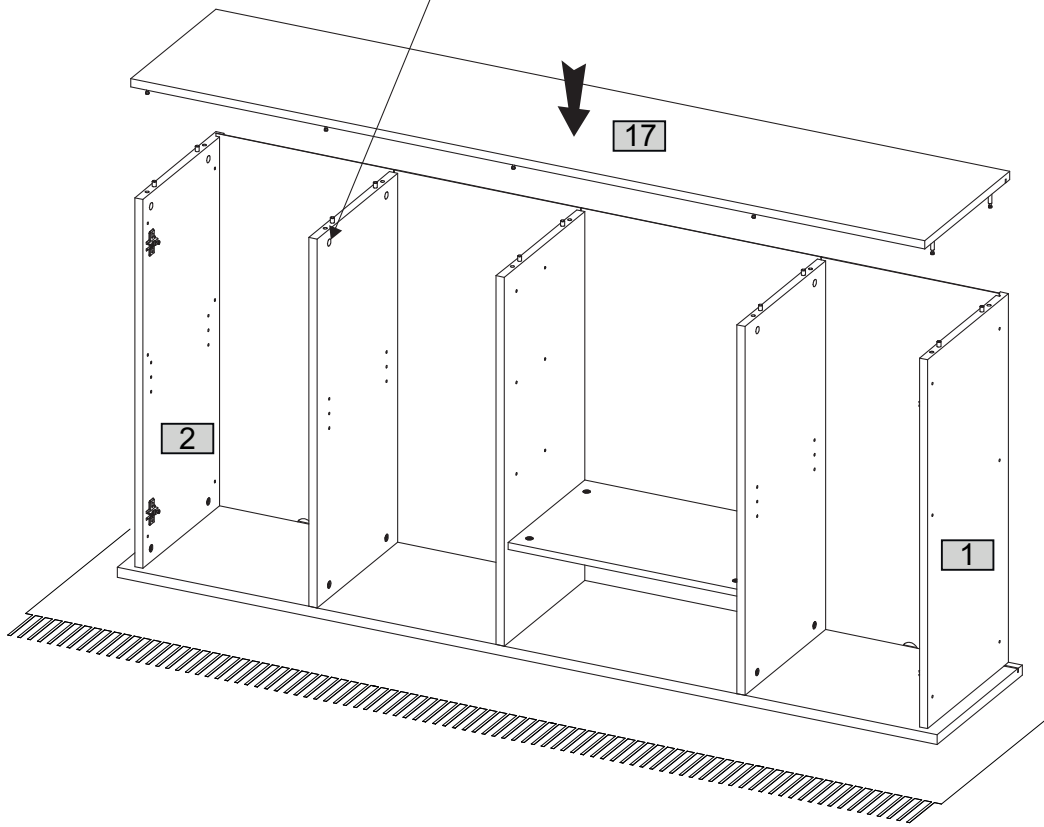
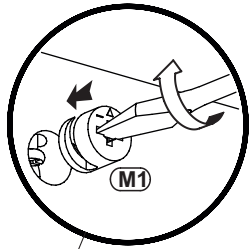
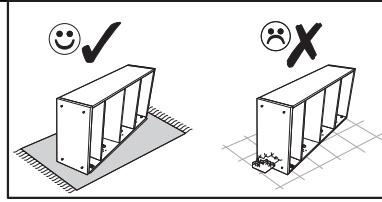
11



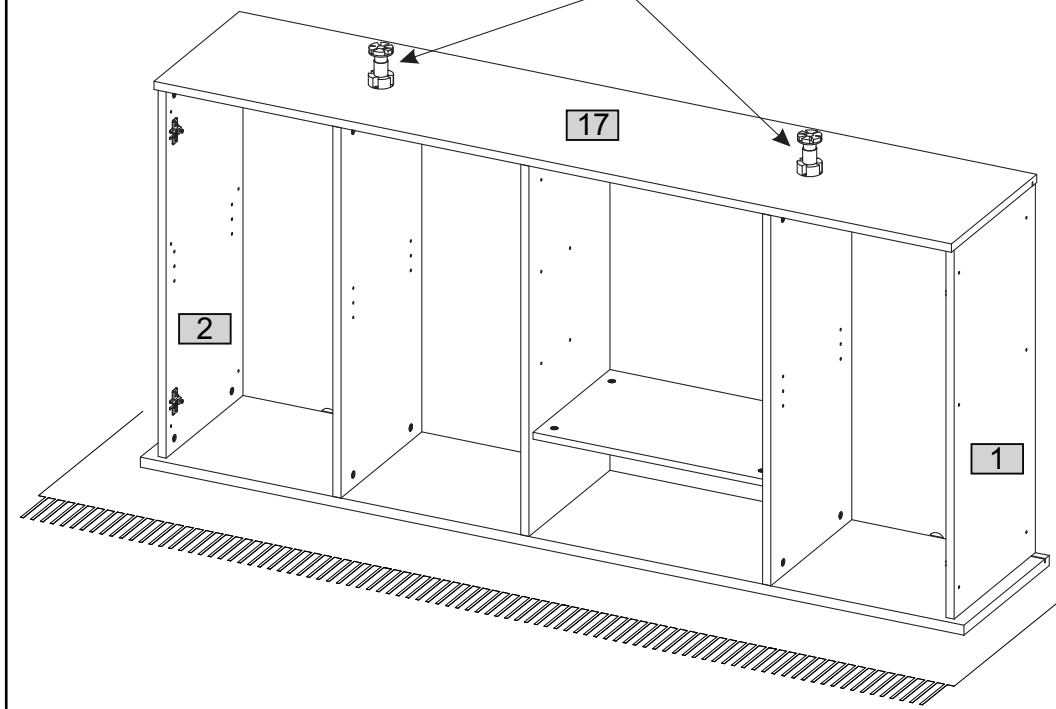
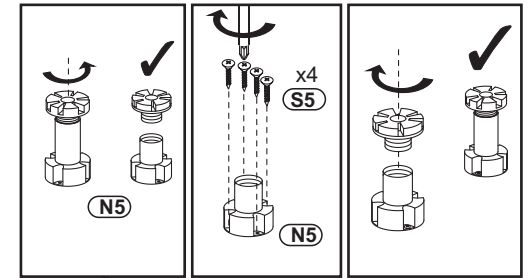
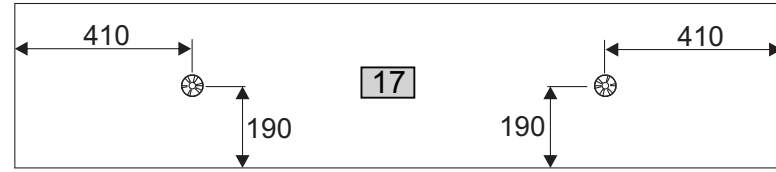
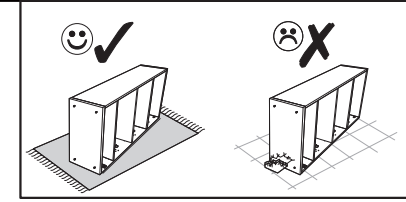
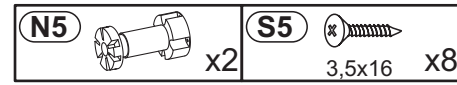
12



13



14



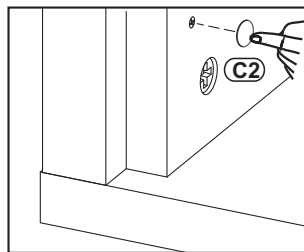
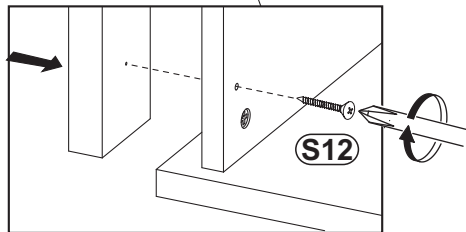
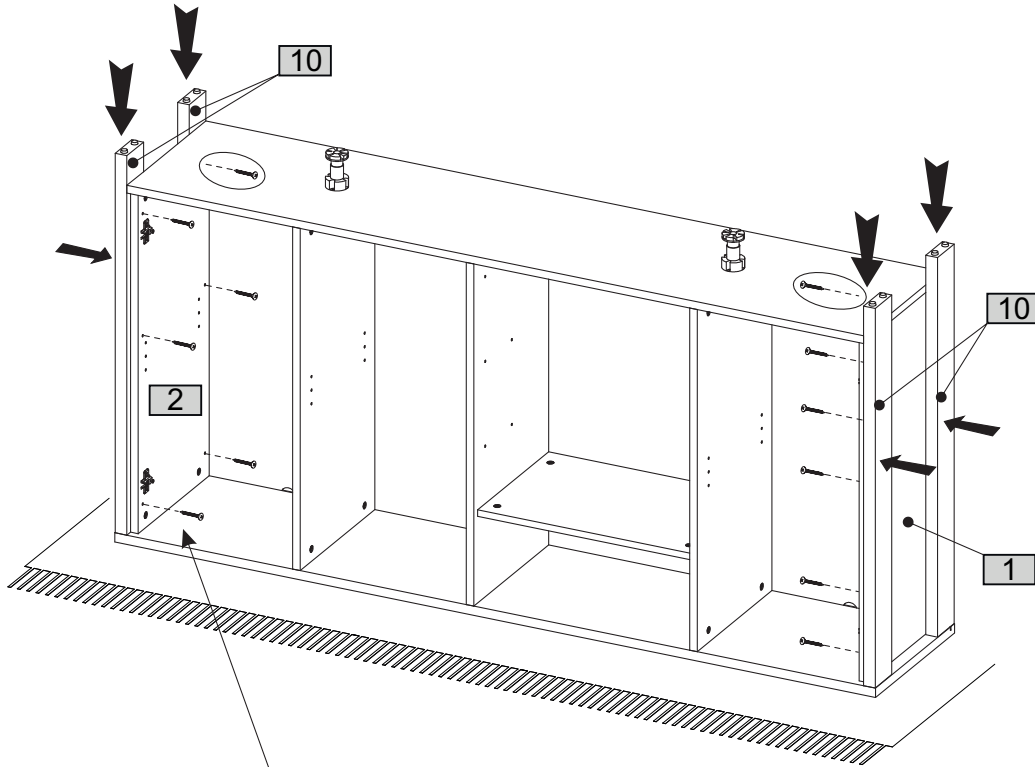
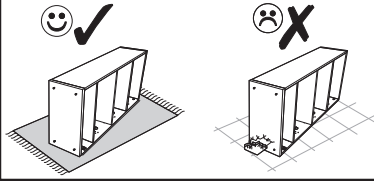
15

S12

4x40 x12

C2

ø20 x12



16

J23

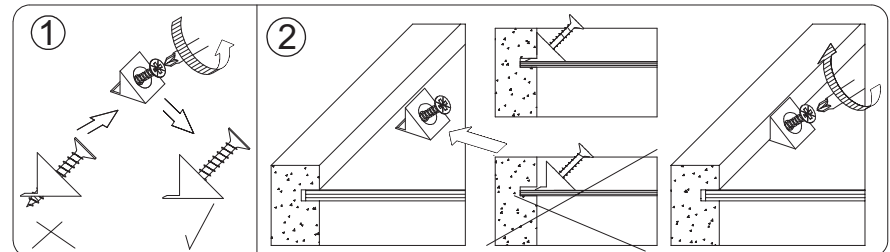
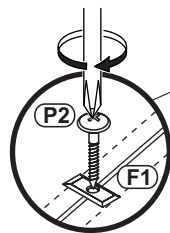
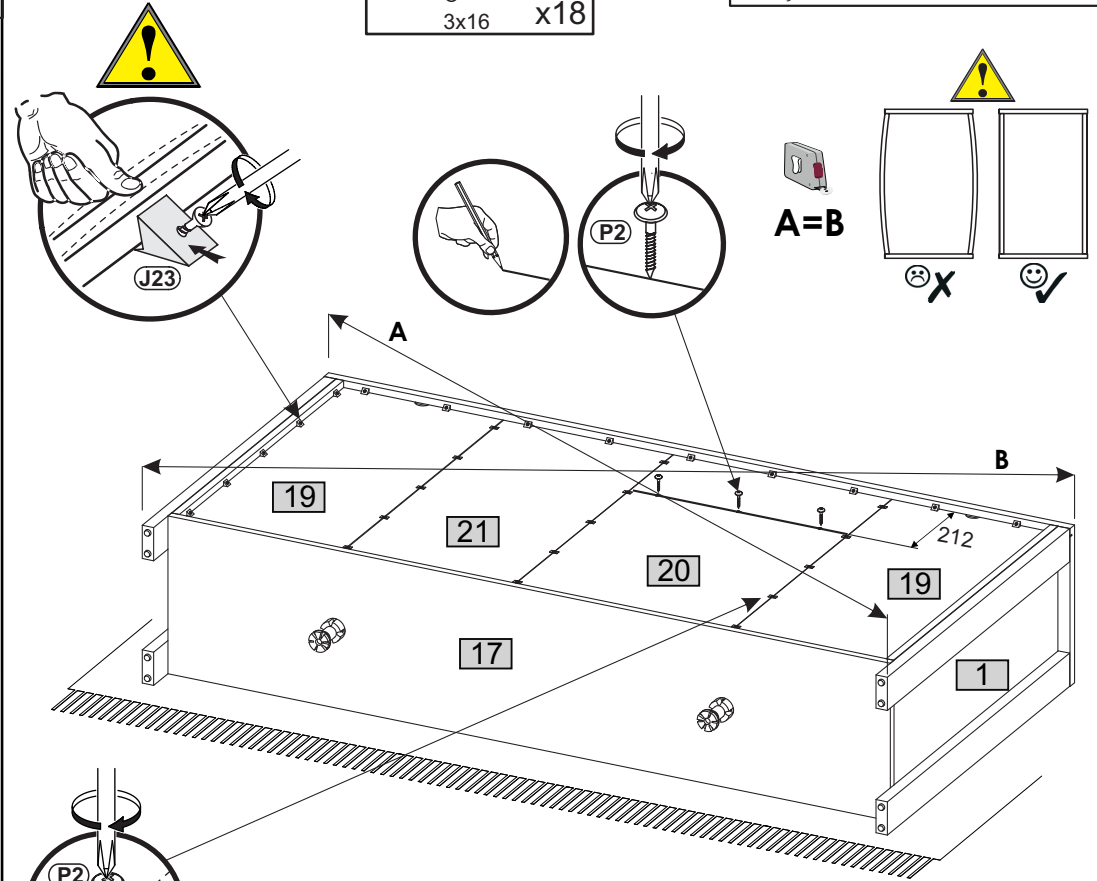
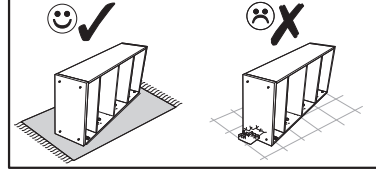
x32

F1

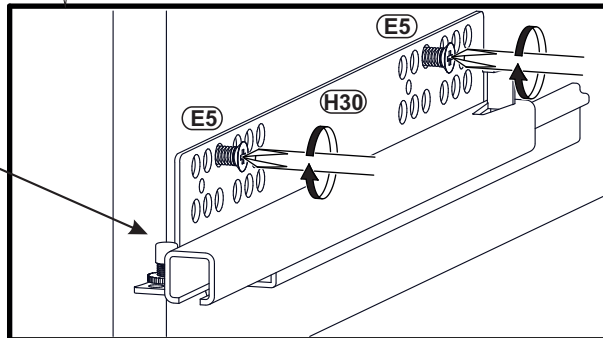
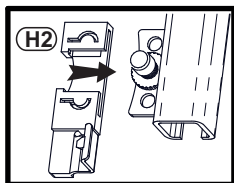
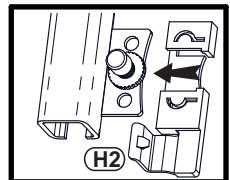
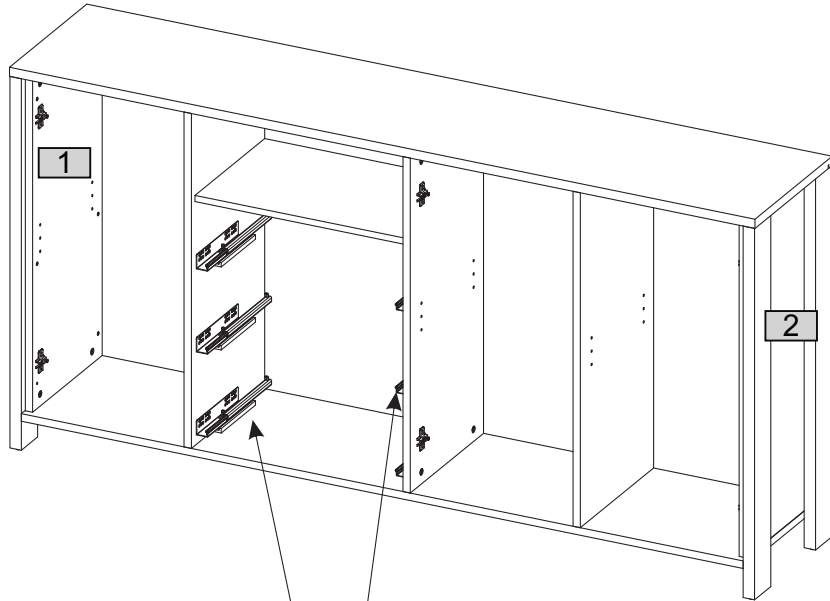
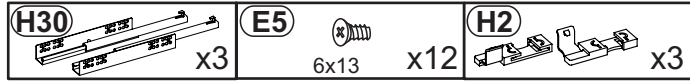
x15

P2

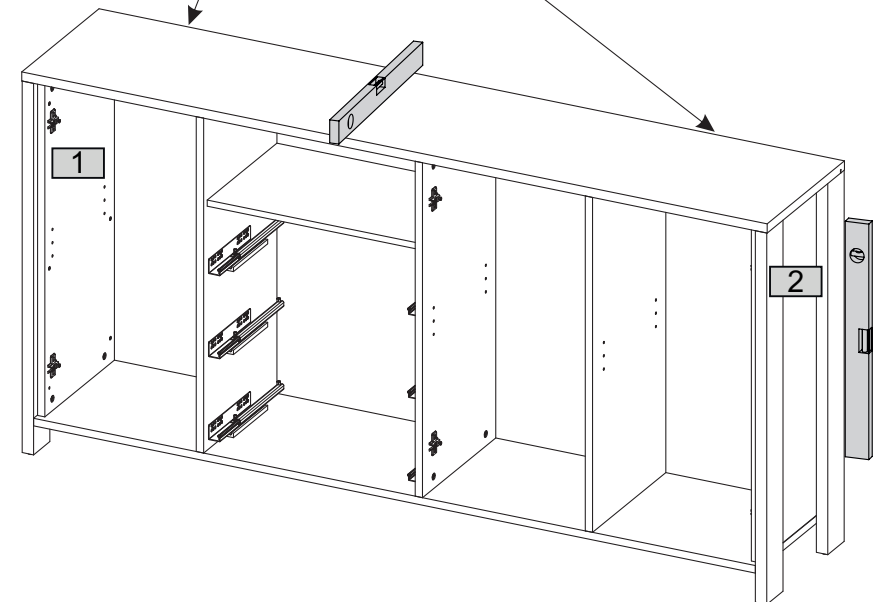
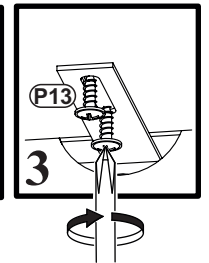
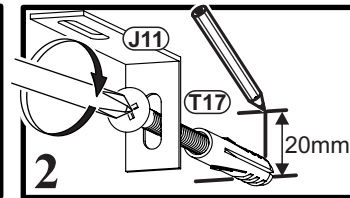
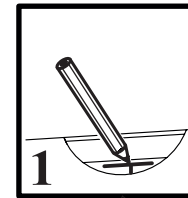
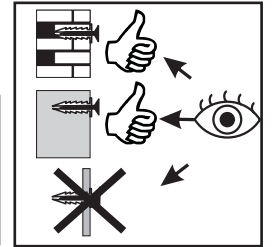
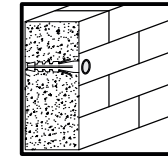
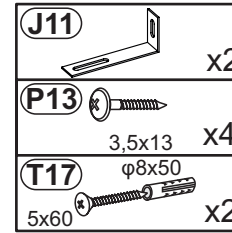
3x16 x18



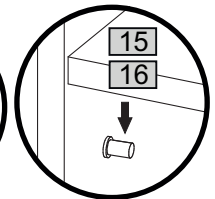
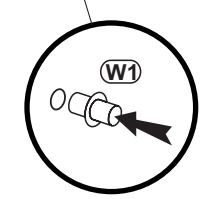
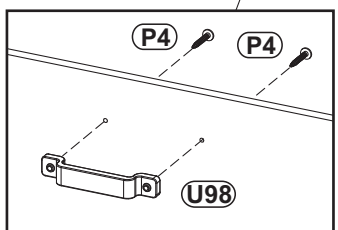
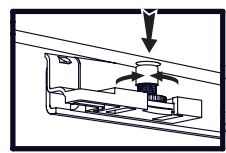
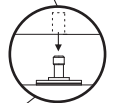
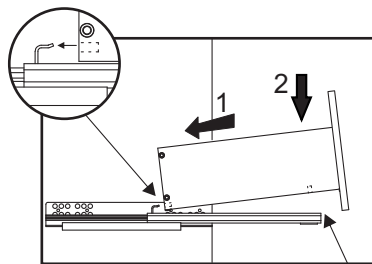
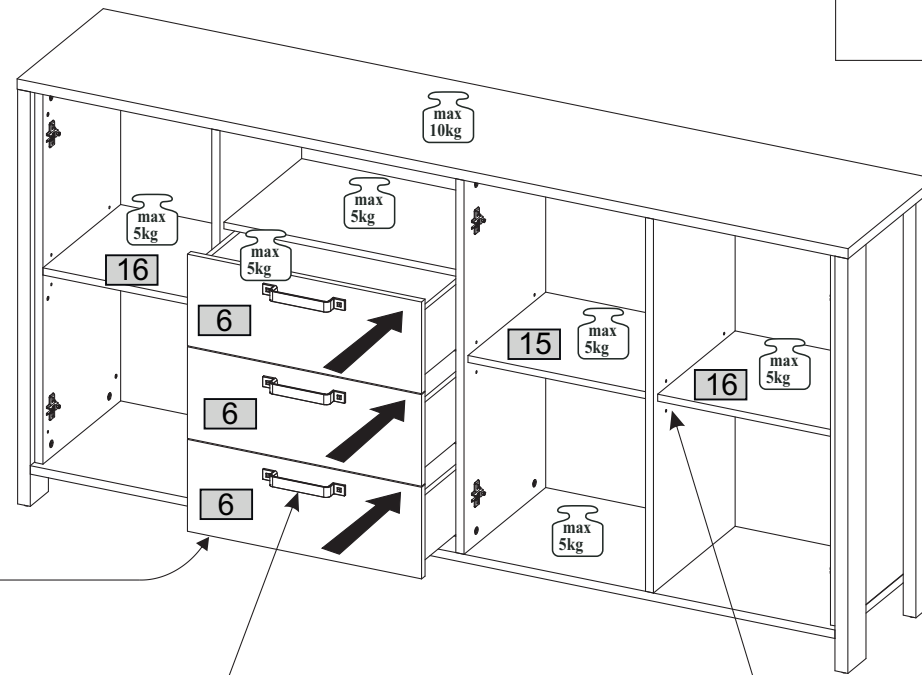
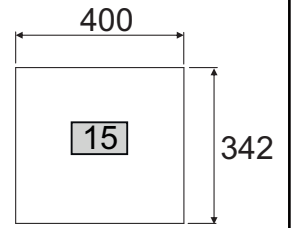
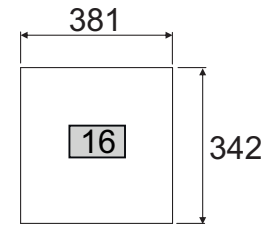
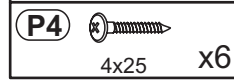
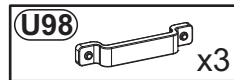
17



18



19



20

