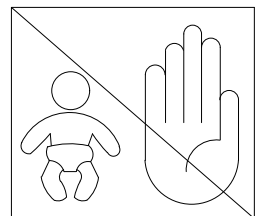
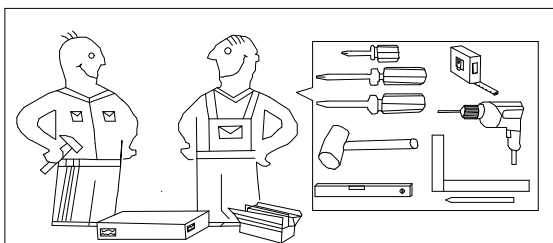
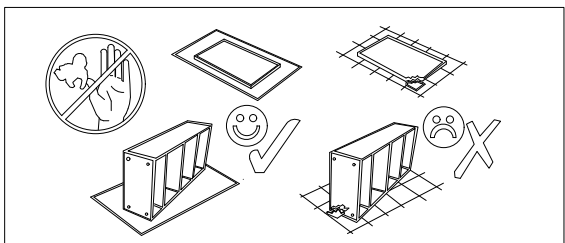
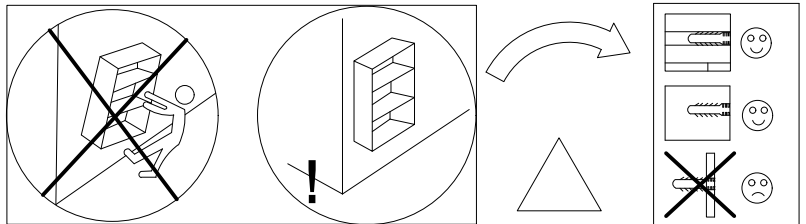
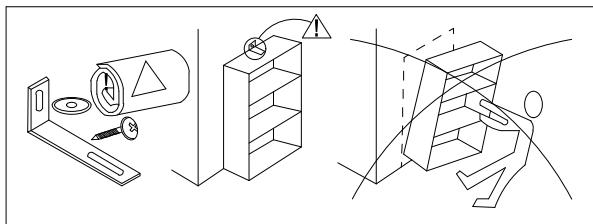
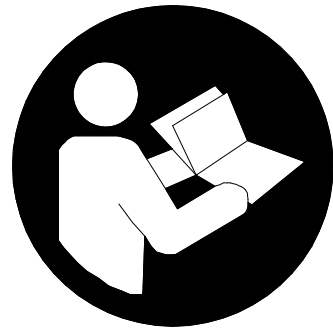
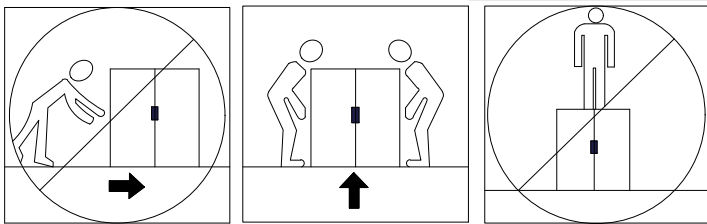
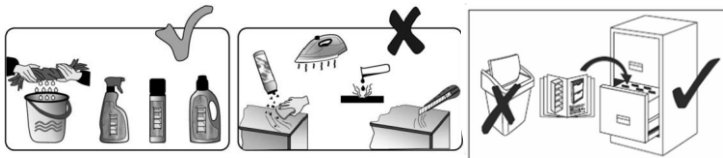
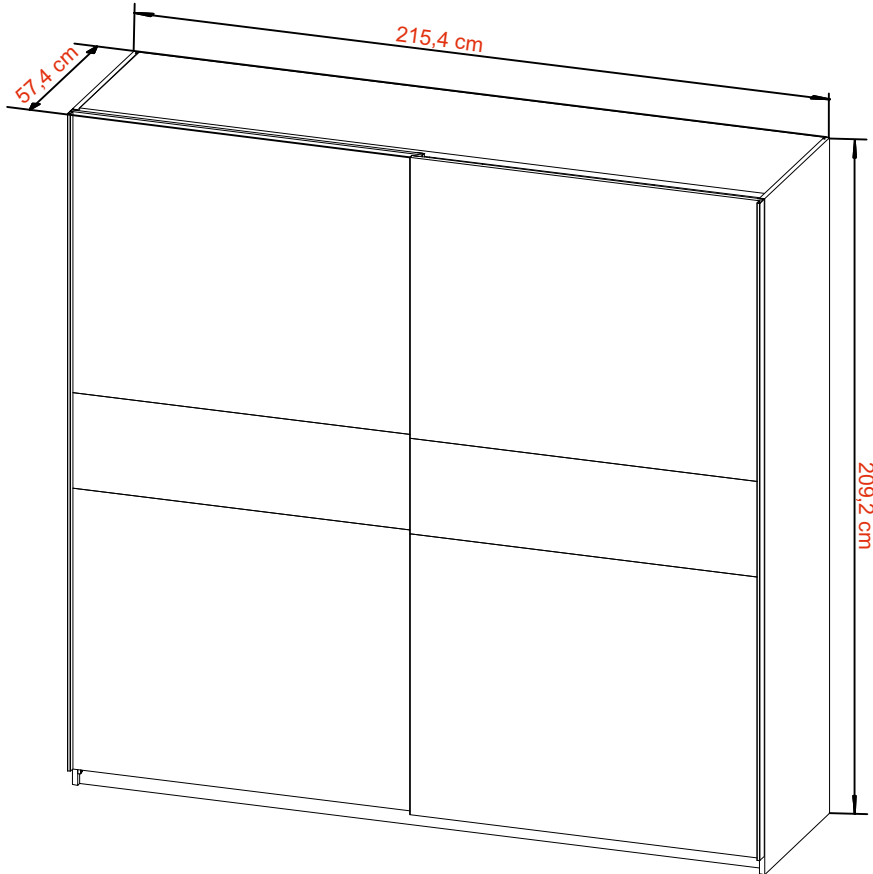
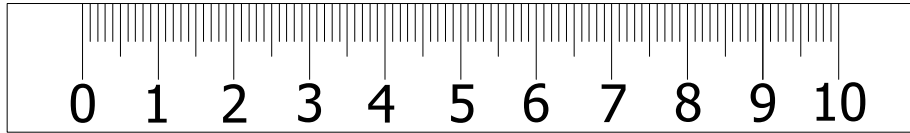
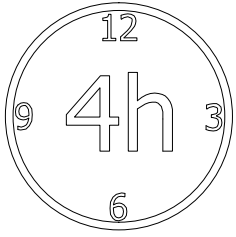


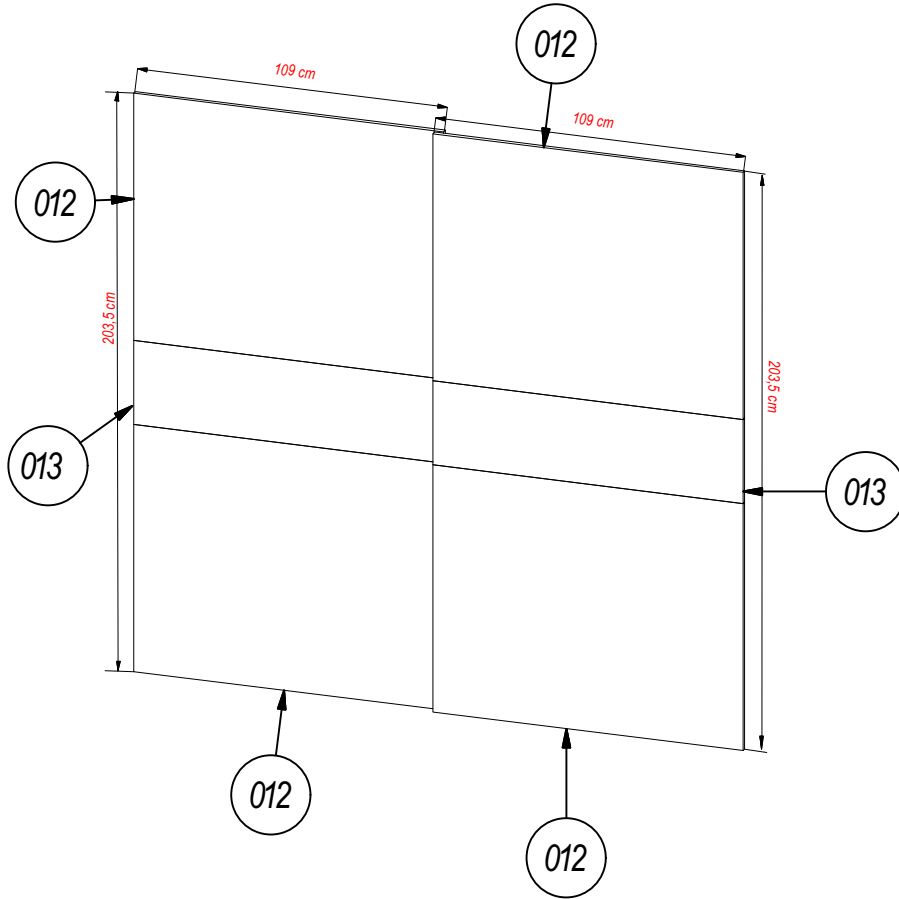
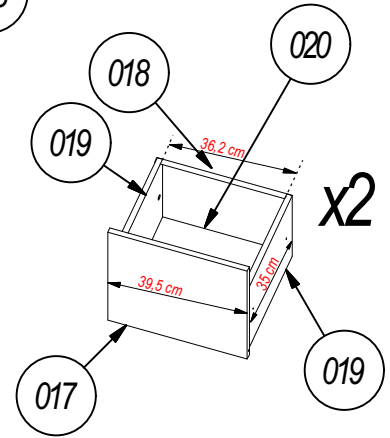
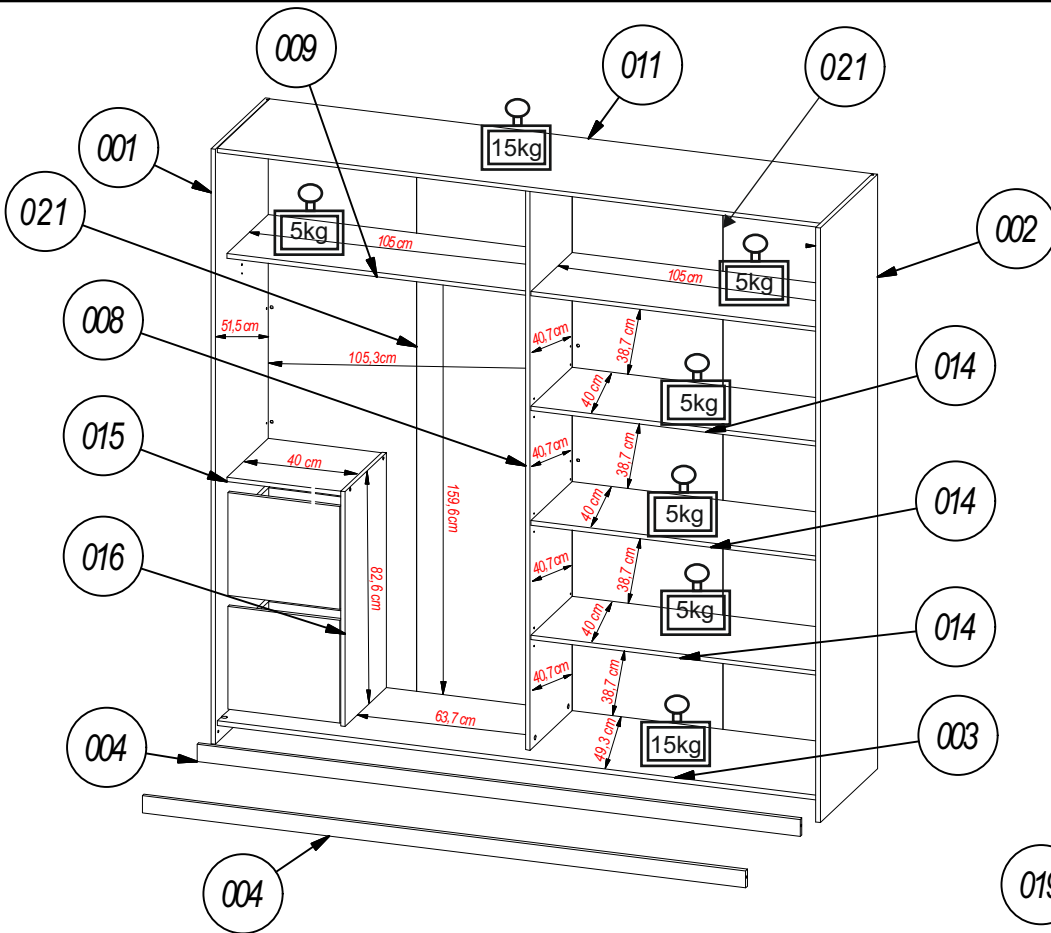
BRAGA

58-416-O1-C



BRAGA


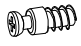


58-416-01-C

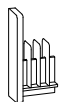
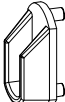
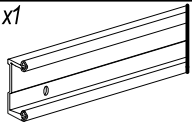
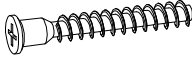



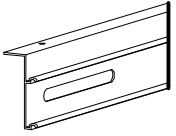

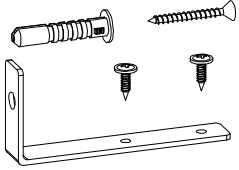
AI No.	Qty	H	W	D	PKG
001	1	2092	524	16	4/5
002	1	2092	553	16	4/5
003	1	2122	507	16	2/5
004	2	2122	60	16	2/5
008	1	1999	421	16	4/5
009	2	1053	400	16	1/5
011	1	2122	507	16	2/5
012	4	1090	869	16	3/5
013	2	1090	296	16	2/5
014	3	1053	400	16	2/5;1/5
015	1	400	399	16	1/5
016	1	826	400	16	1/5
017	2	395	362	16	1/5
018	2	362	236	16	1/5
019	2	350	250	16	1/5
020	2	372	353	2	1/5
021	2	2012	1070	2	4/5
022	2	350	250	16	1/5




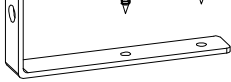
BRAGA




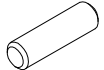
58-416-O1-C

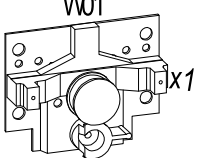
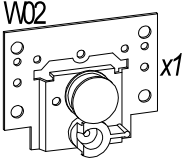

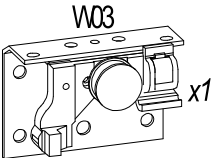
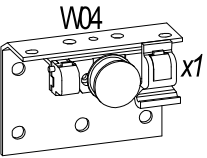

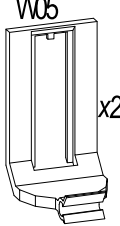
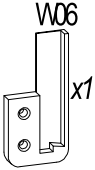
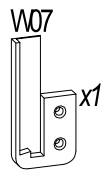
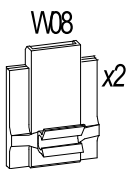
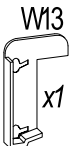
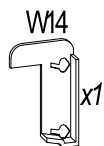
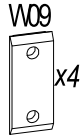
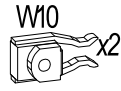


 x12 146832	 x12 146831	 x16 EURO Ø6.3x10 150922	 x18 Ø 20 140318
--	--	---	---

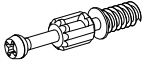

 x4 150691	 x2 1556	 x1 L-2114 150720	 x6 Ø7x50 1354
---	---	---	---

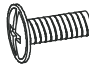
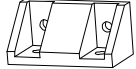
 x24 EURO S Ø6.3x11 149345	 x1 L-2118 150719	 x10 1305	 x2 1267
---	--	--	---

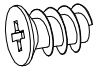
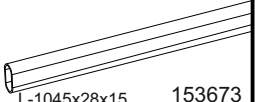
 x34 US Ø3,5x13 1011	 x20 EURO S ES 6x9,5 1007	 x6 UP 3x20 1056	 x2 1267
---	--	--	---

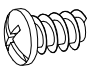

 x2 L-345 1780	 x16 150921	 x8 9285	 x28 8x28 1018
---	--	--	---

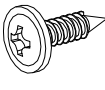
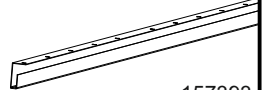
 W01 x1	 W02 x1	 W11 x4 Ø3,5x16
 W03 x1	 W04 x1	 W12 x2 6Øx20
 W05 x2	 W06 x1	 W07 x1
 W08 x2	 W13 x1	 W14 x1
 W09 x4	 W10 x2	 W15 x1
 W16 x2		

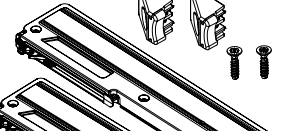

 x12 11809	 x20 151856
--	--

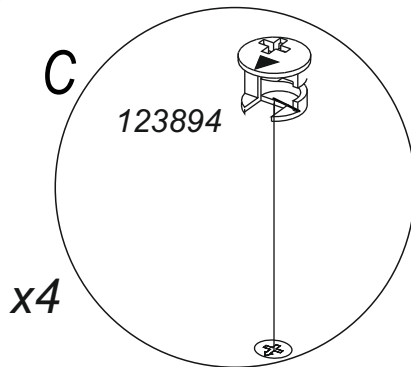
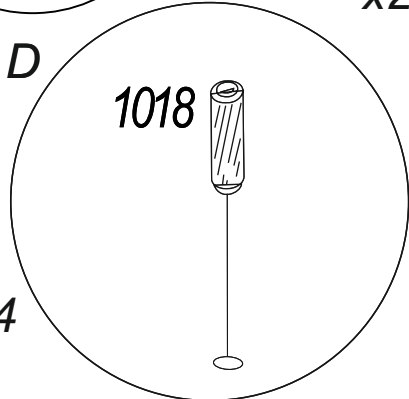
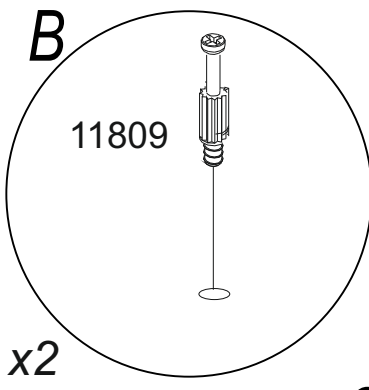
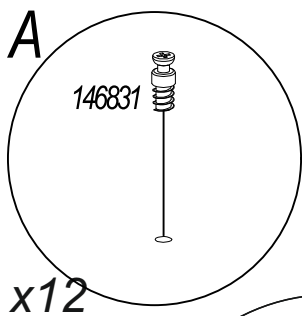
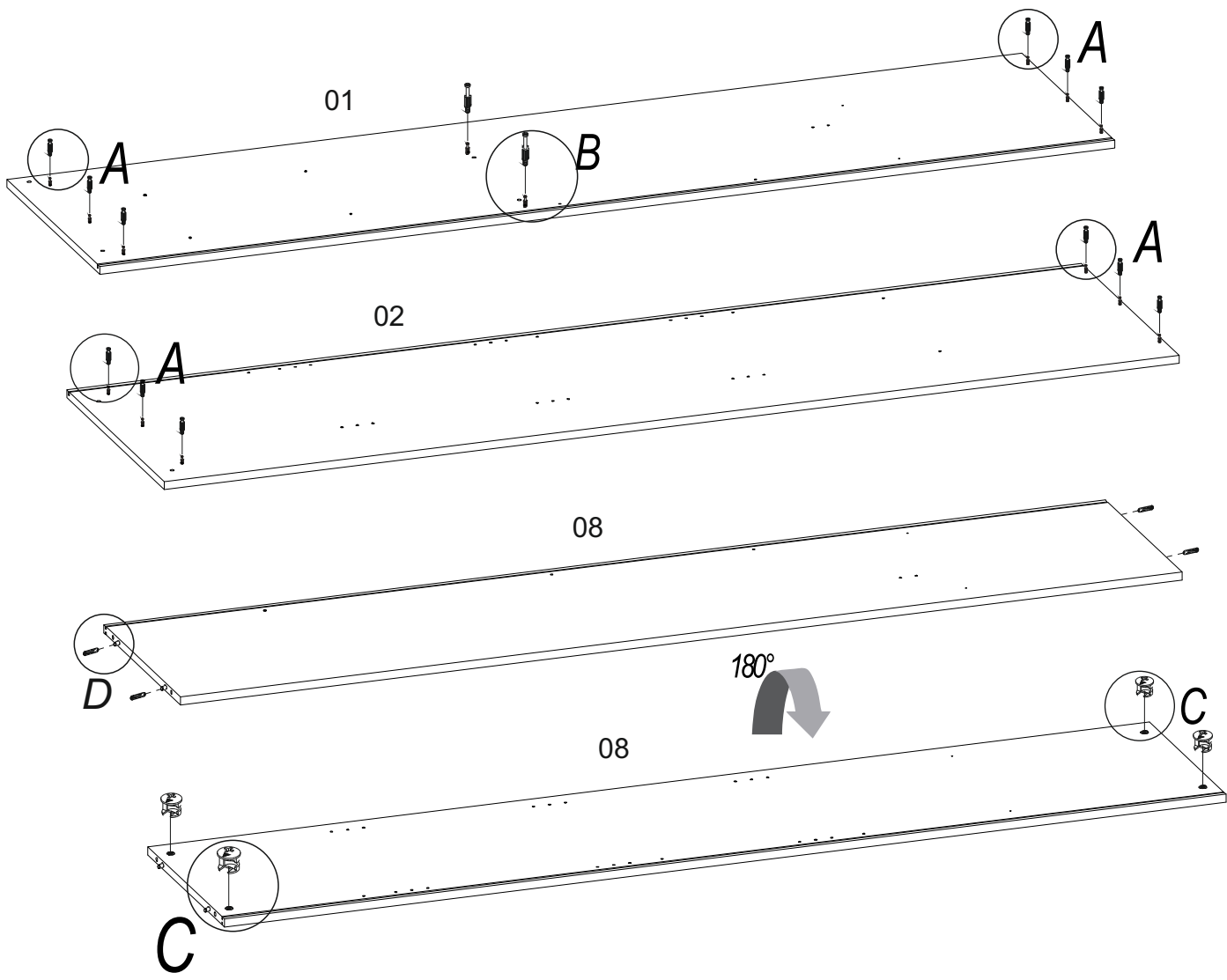
 x4 51994	 x8 81556
--	--

 x8 EURO 6x8 1993	 x1 L-1045x28x15 153673
---	--

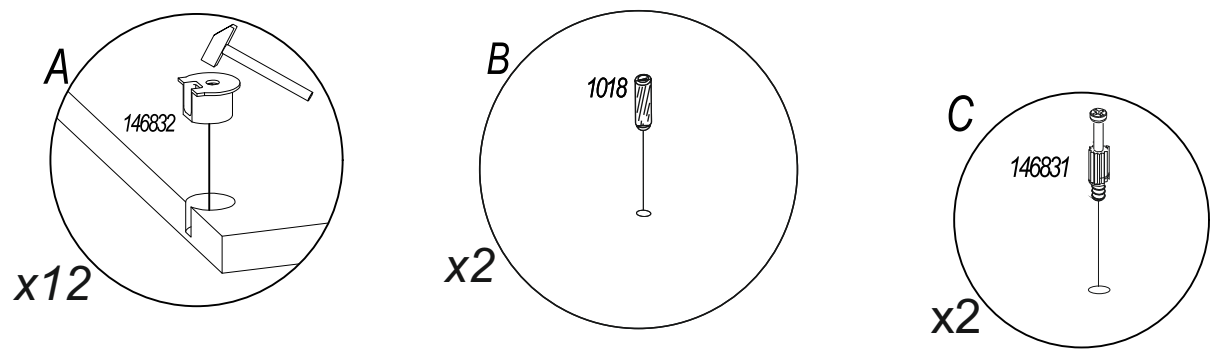
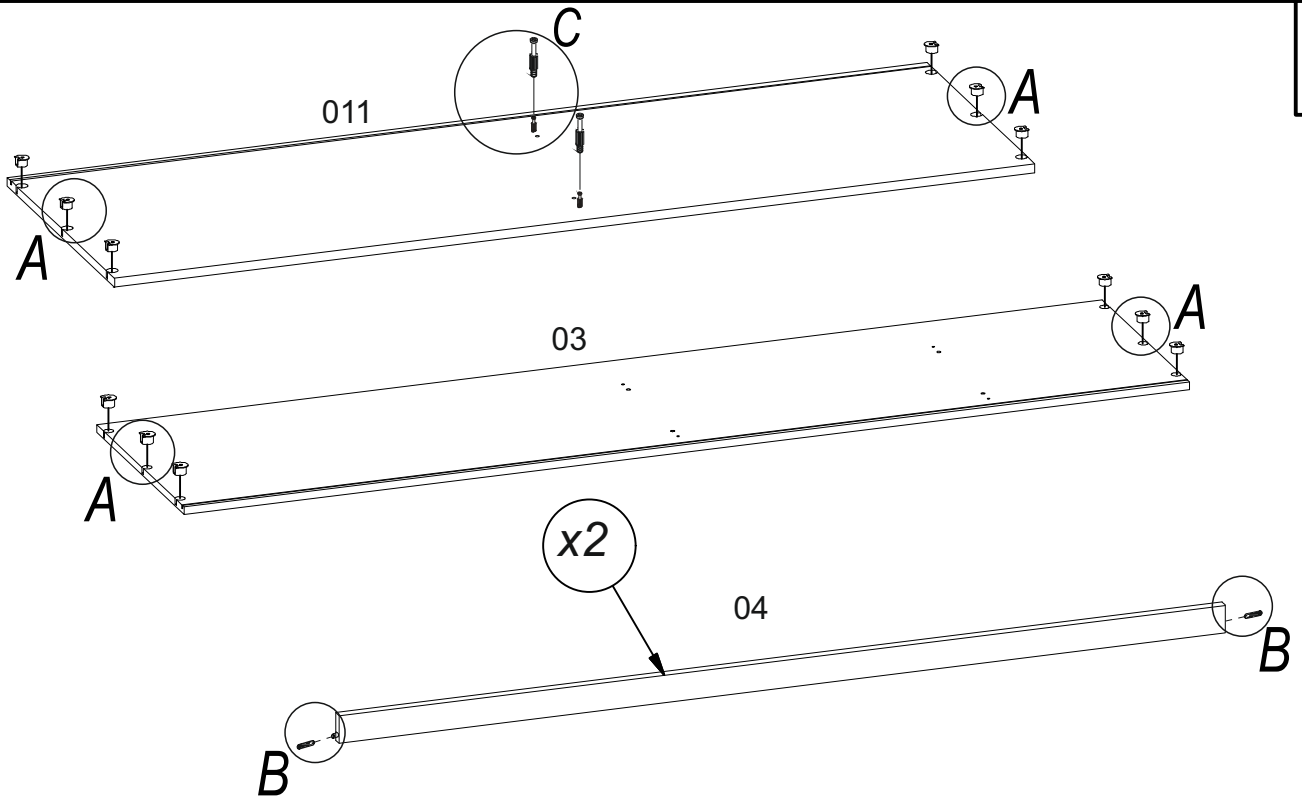
 x16 EURO 6,3x10 150922	 x2 157420
---	---

 x100 UP 3,5x13 1014	 x2 157393
---	---

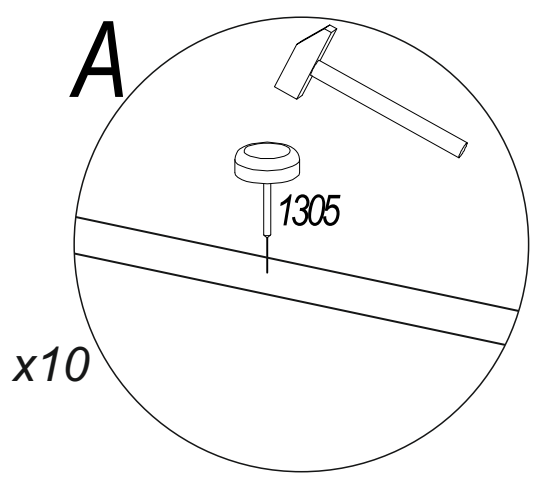
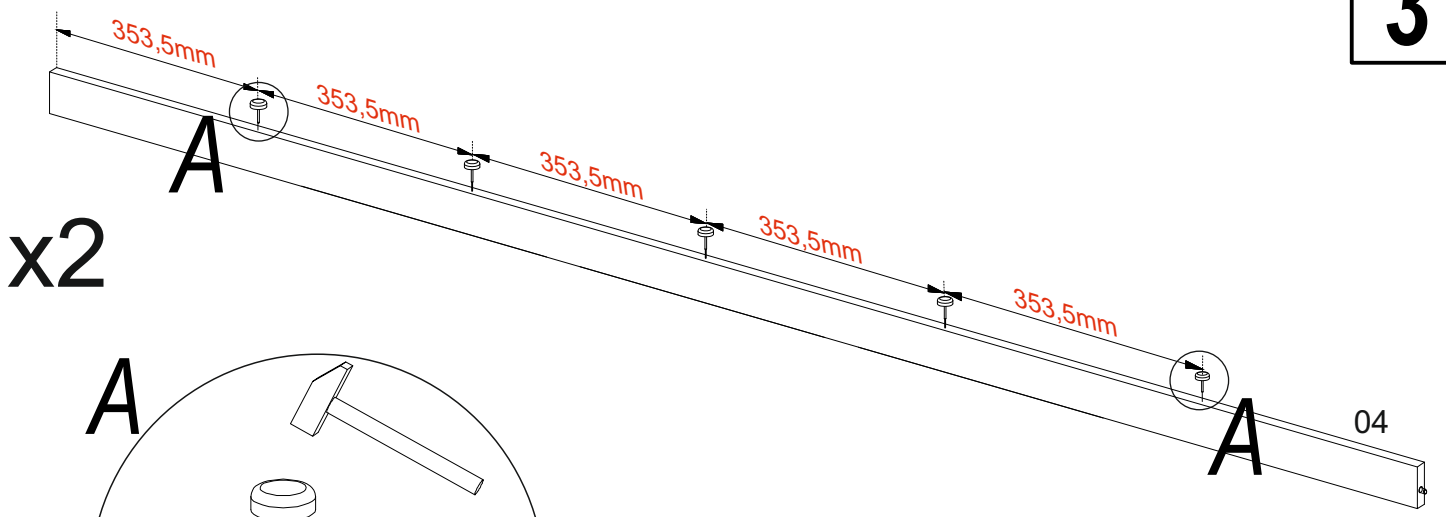
 x1 157573	 x12 123894
--	--



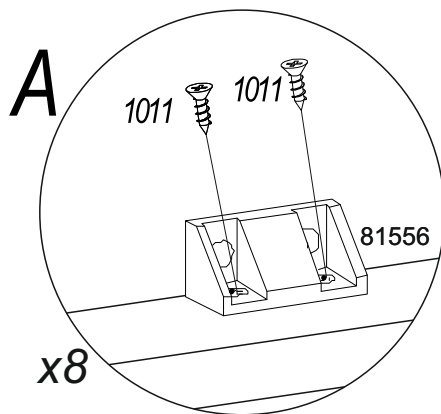
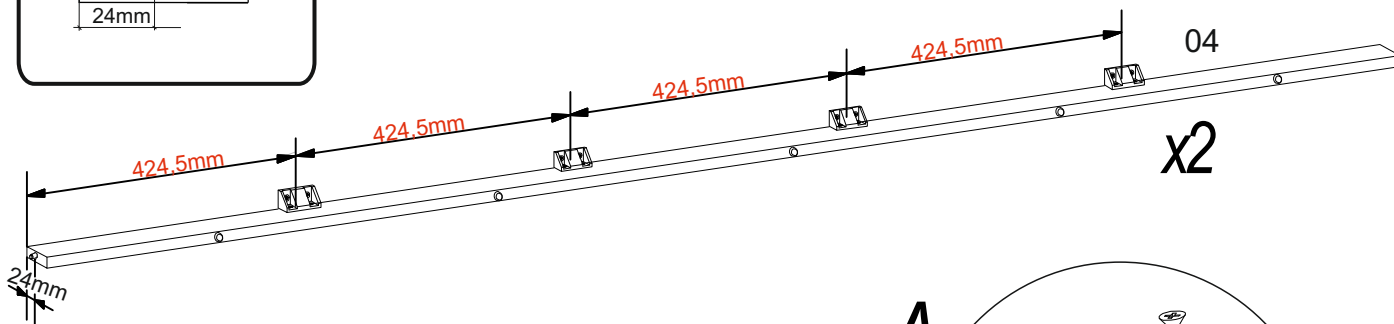
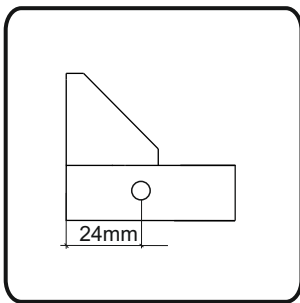
2



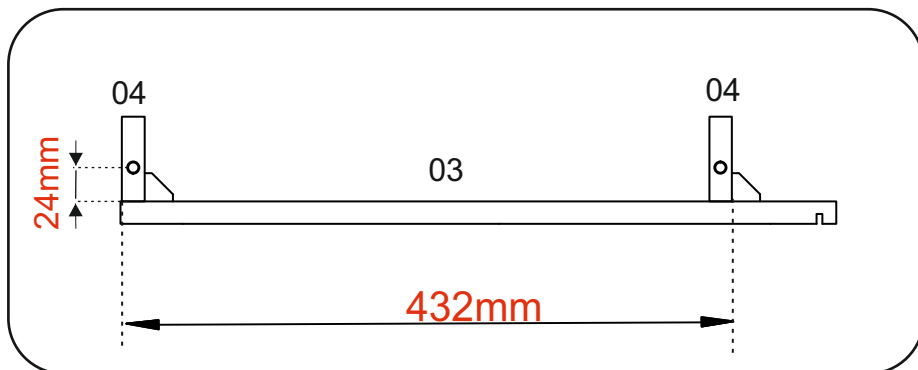
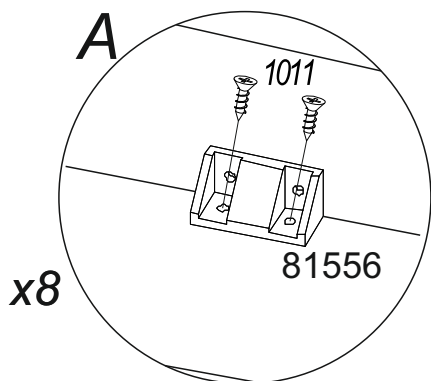
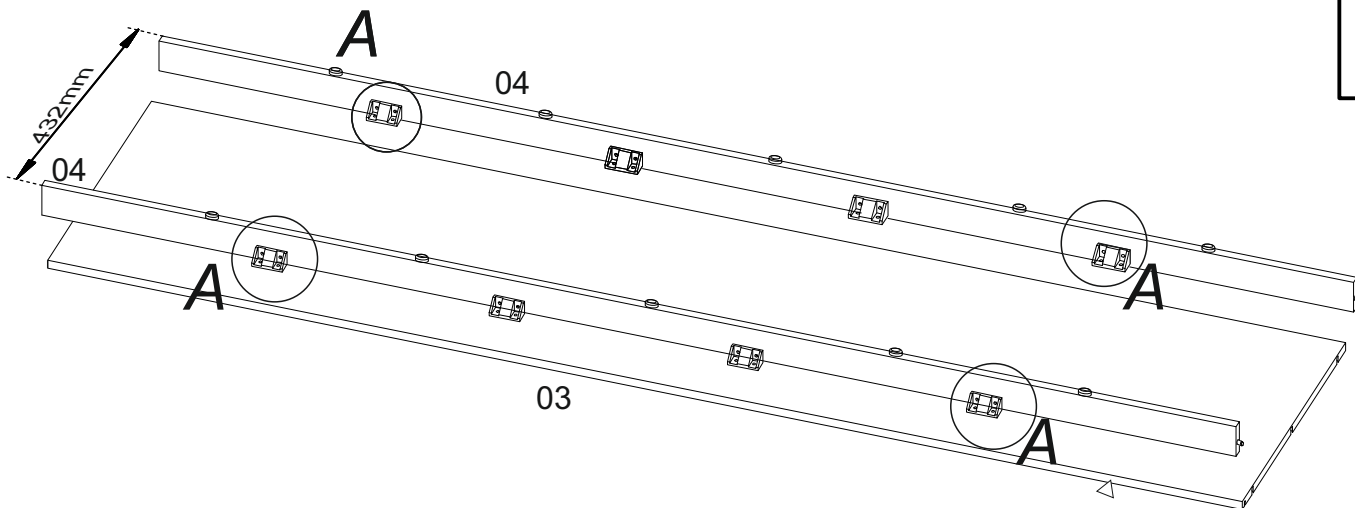
3



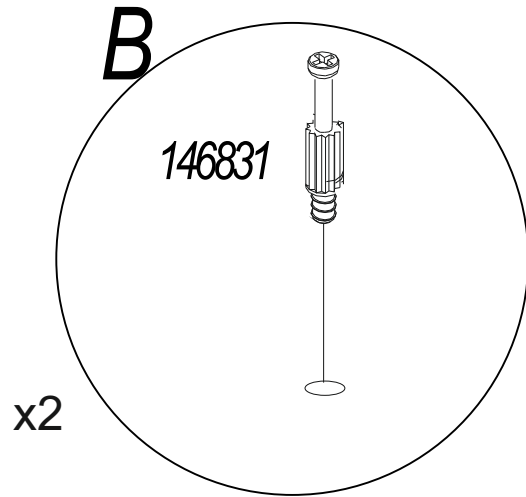
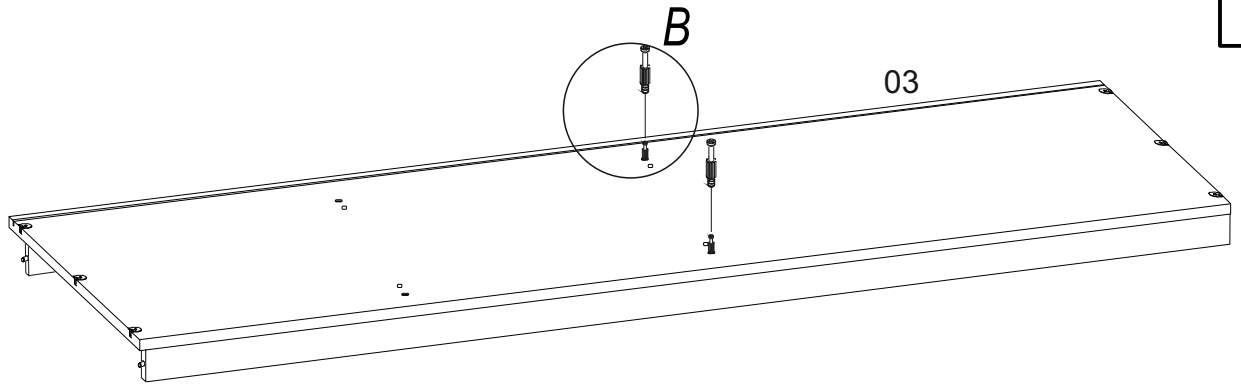
4



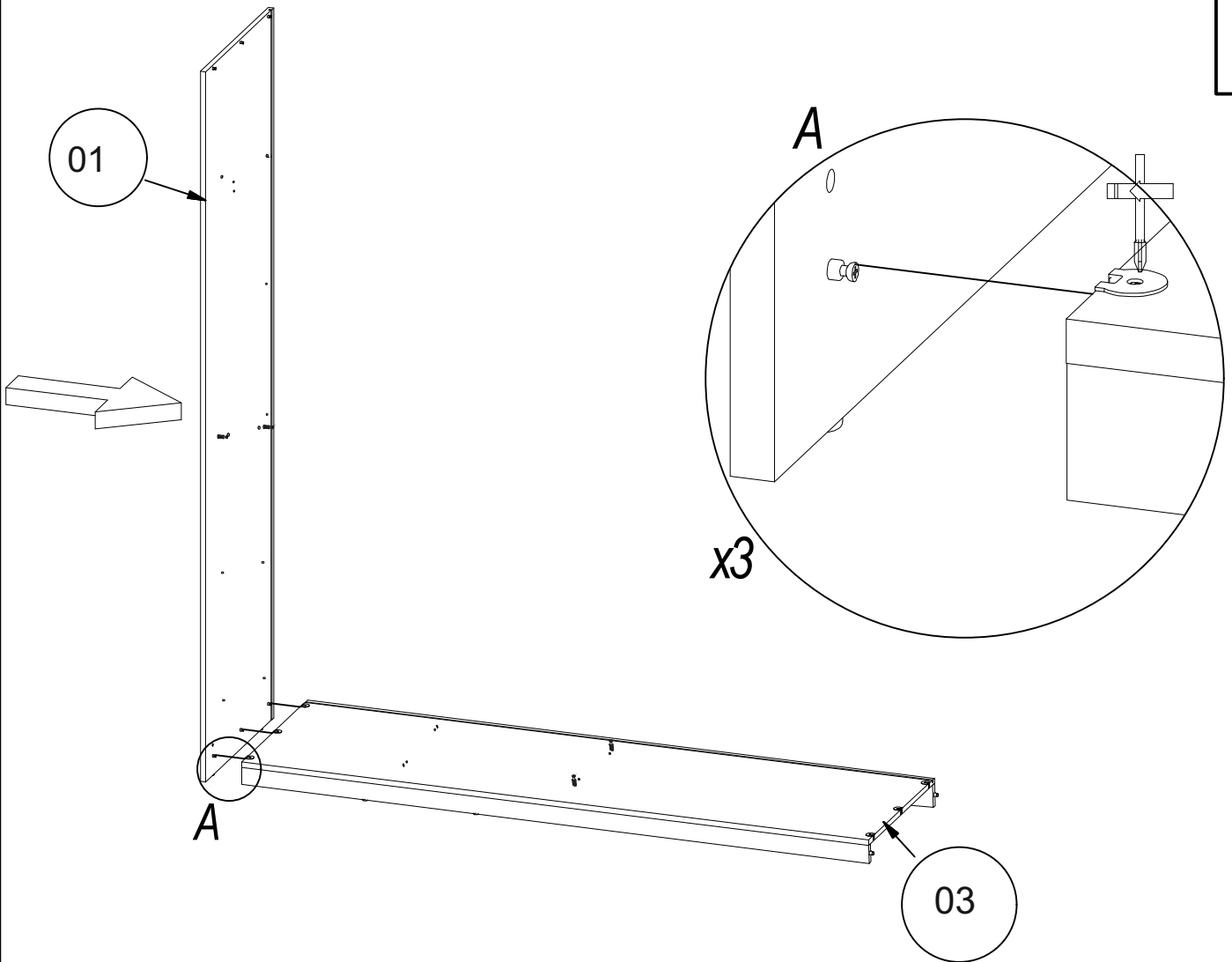
5

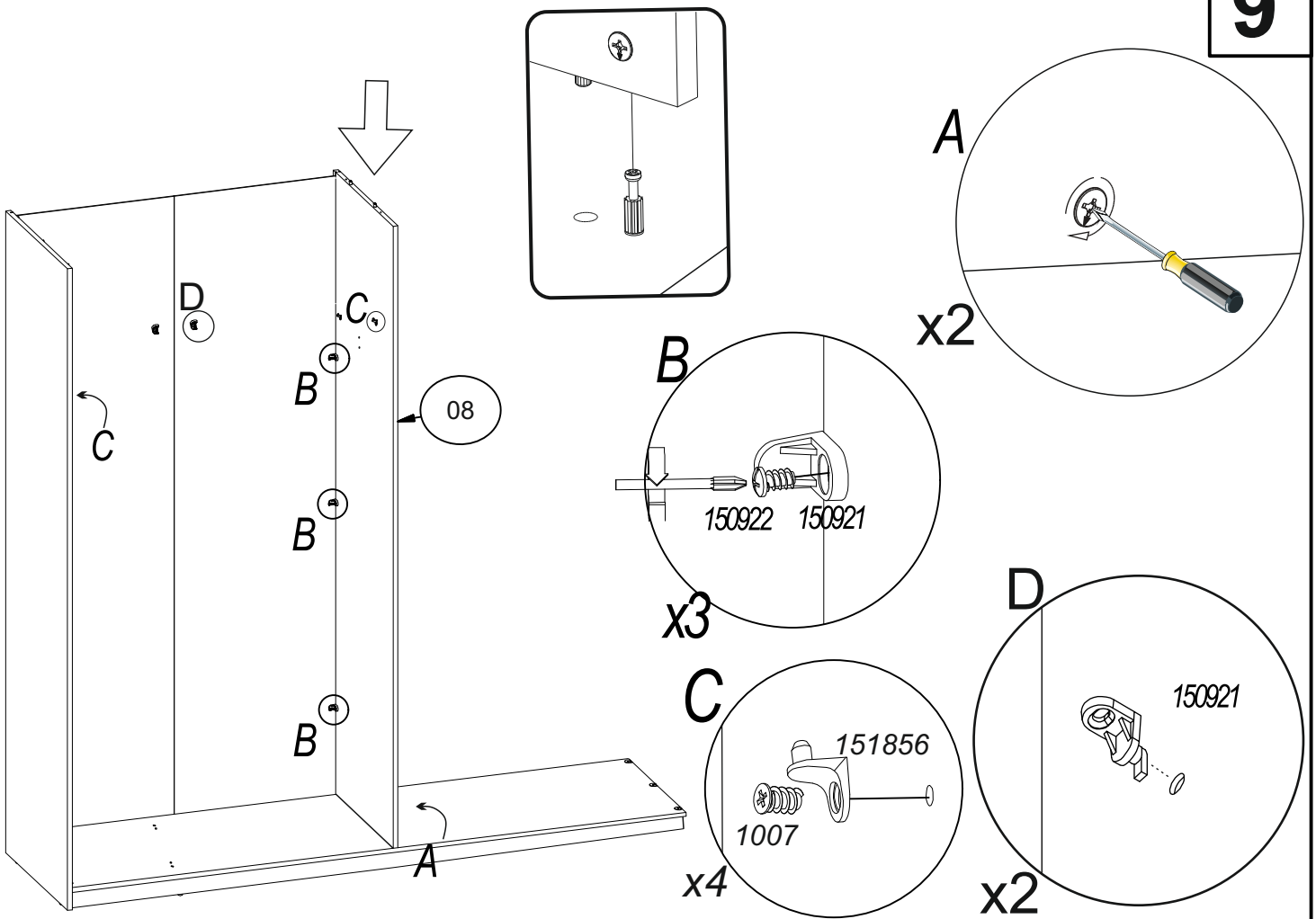
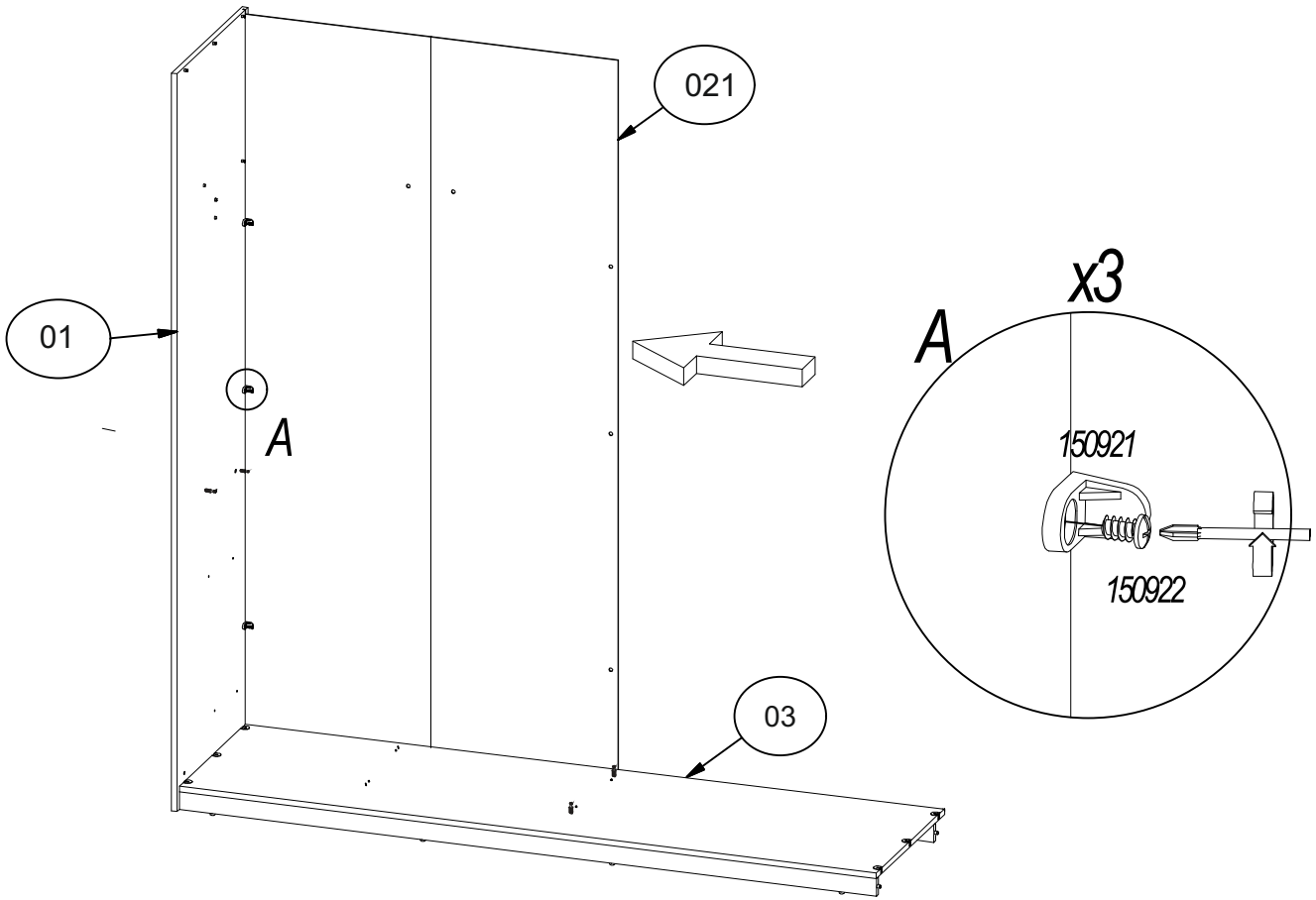


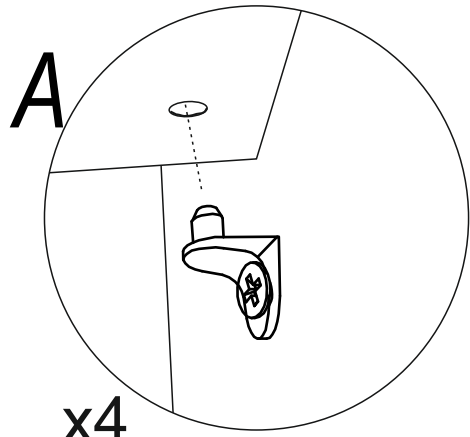
6



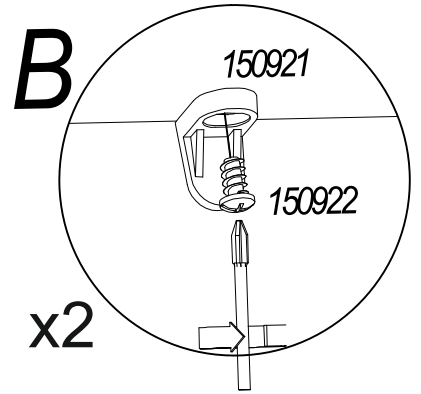
7



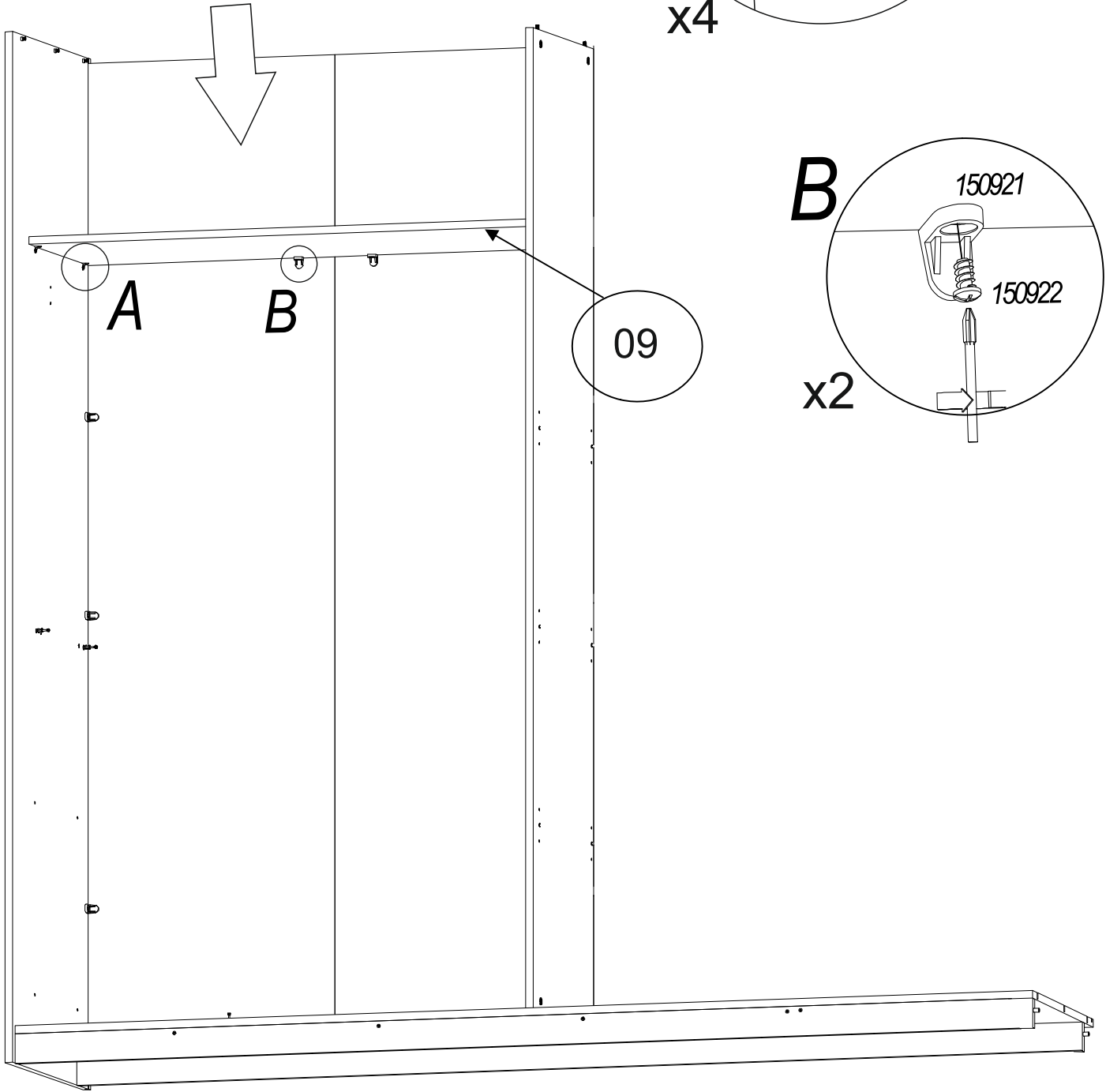


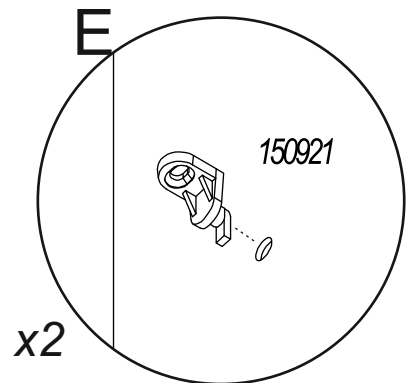
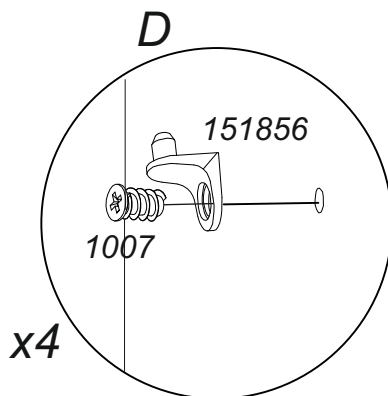
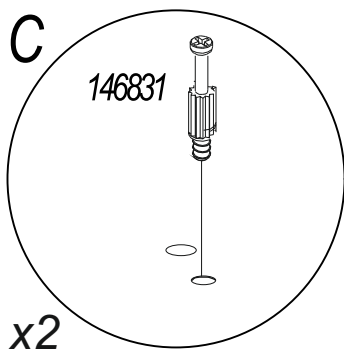
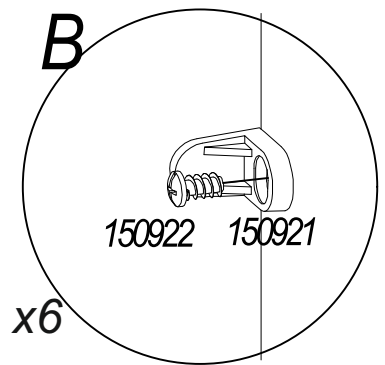
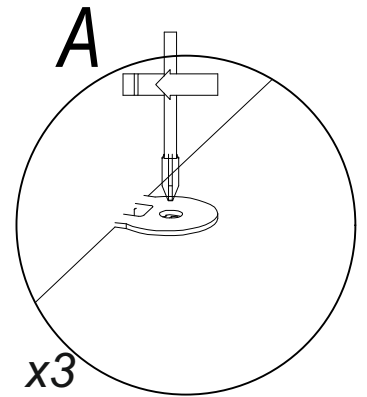
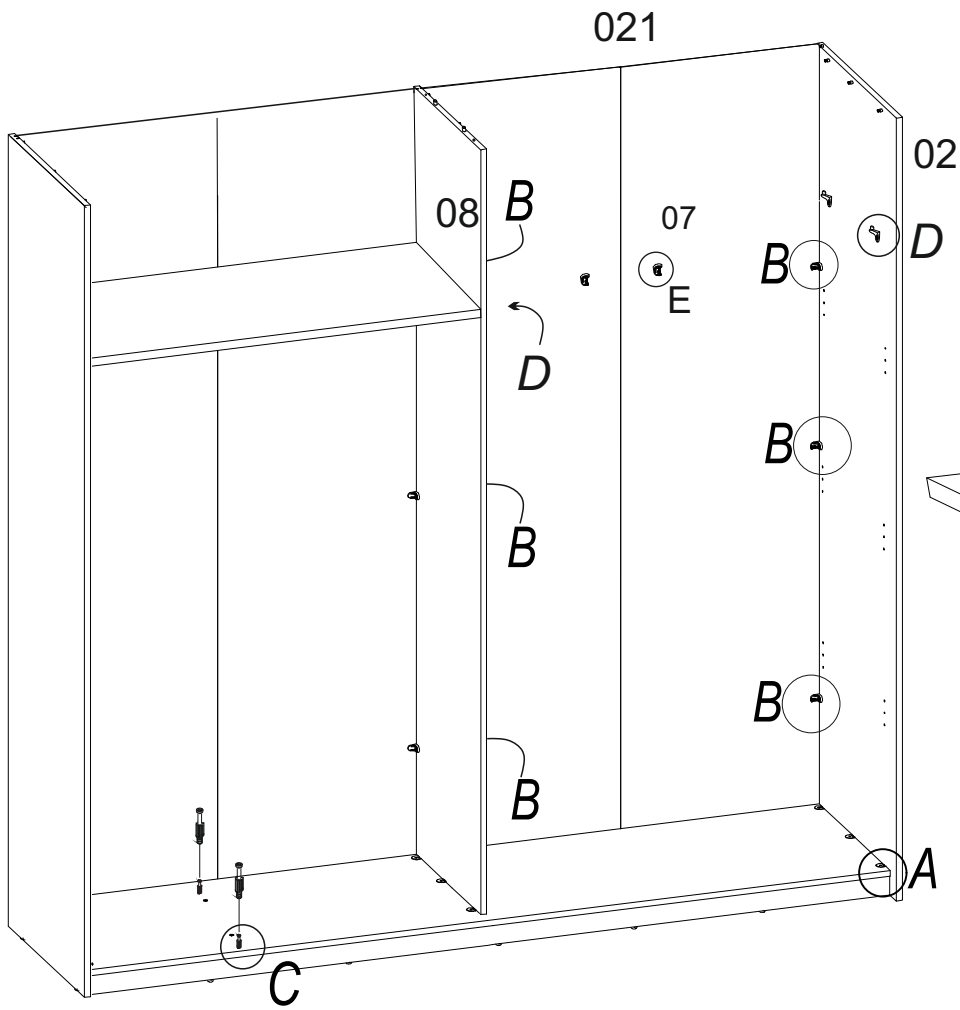


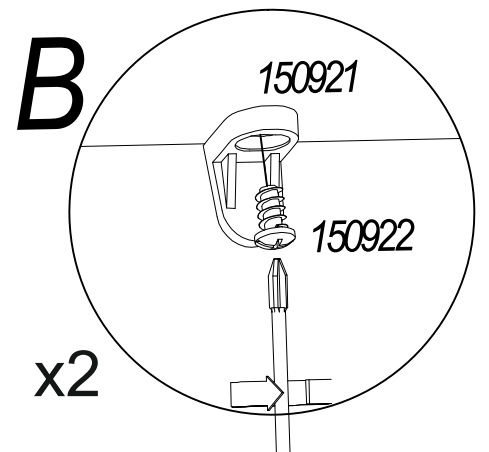
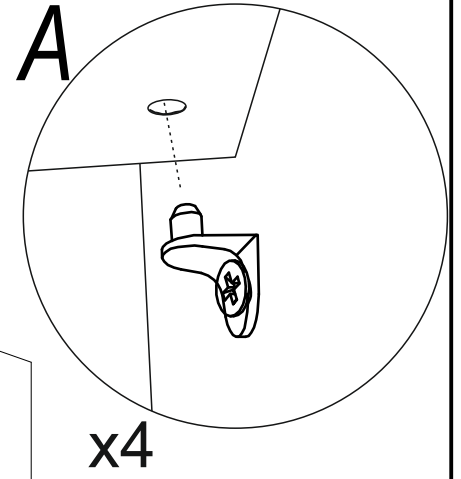
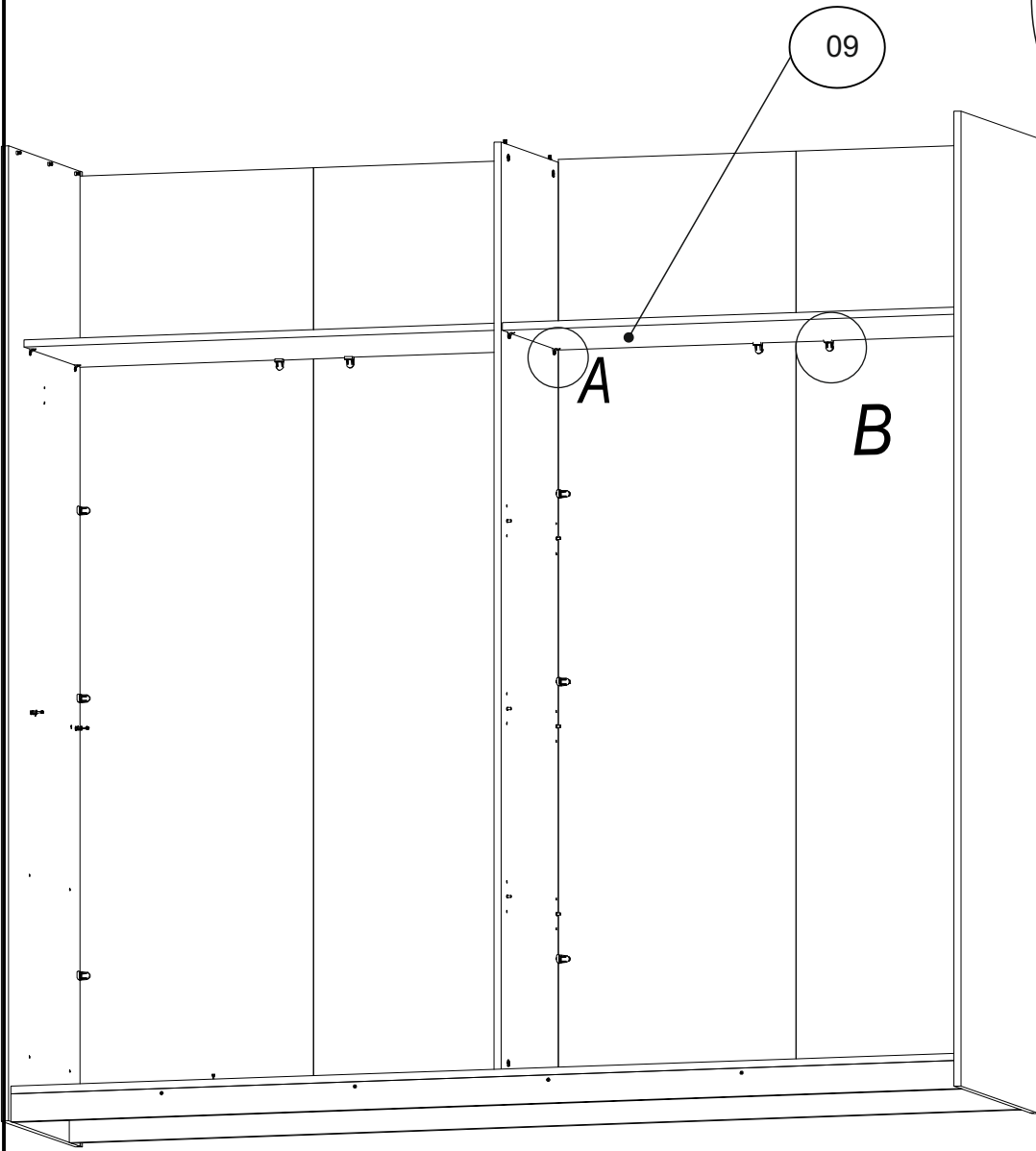
x4

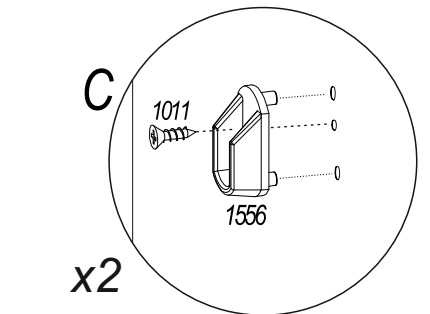
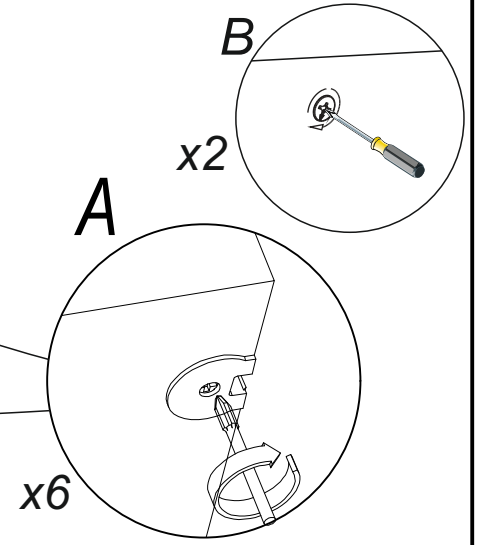
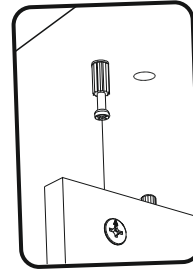
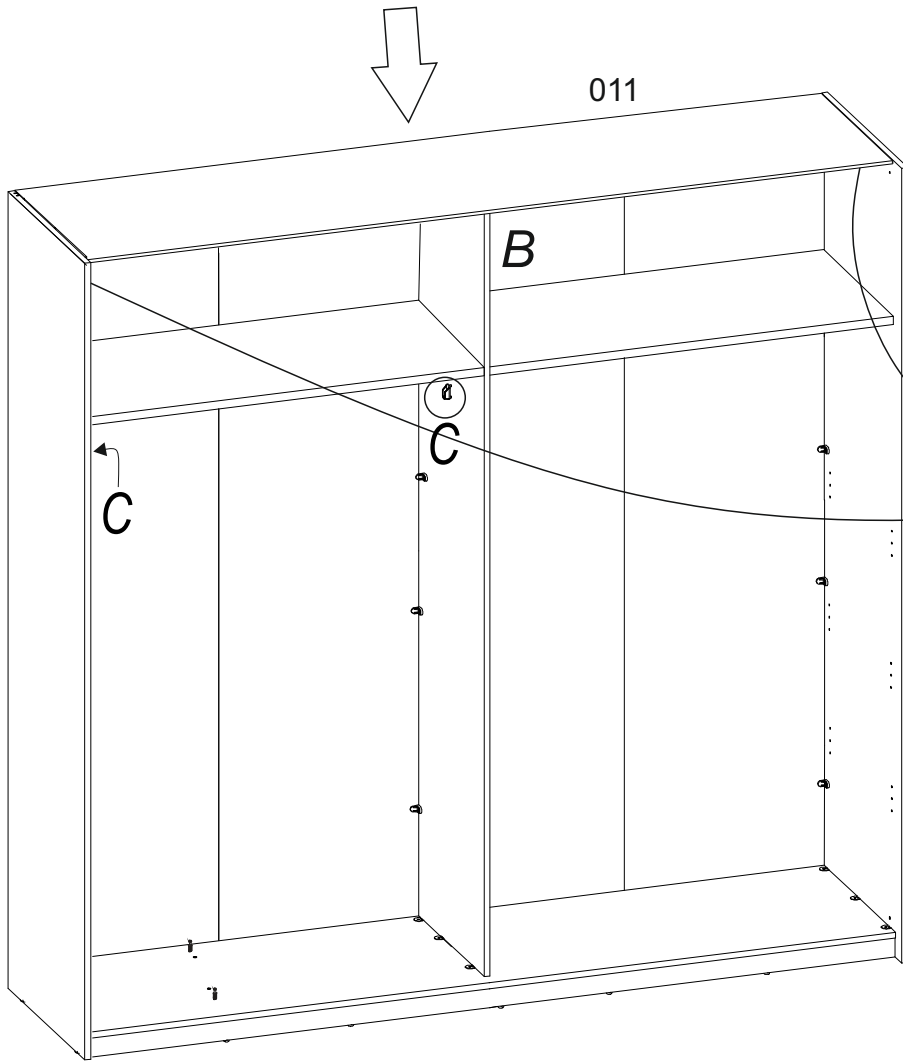


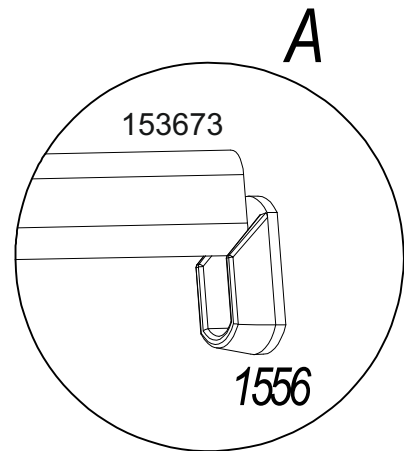
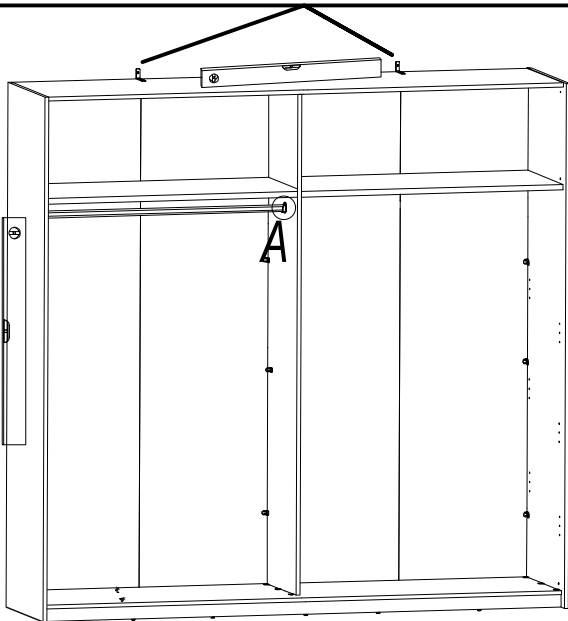
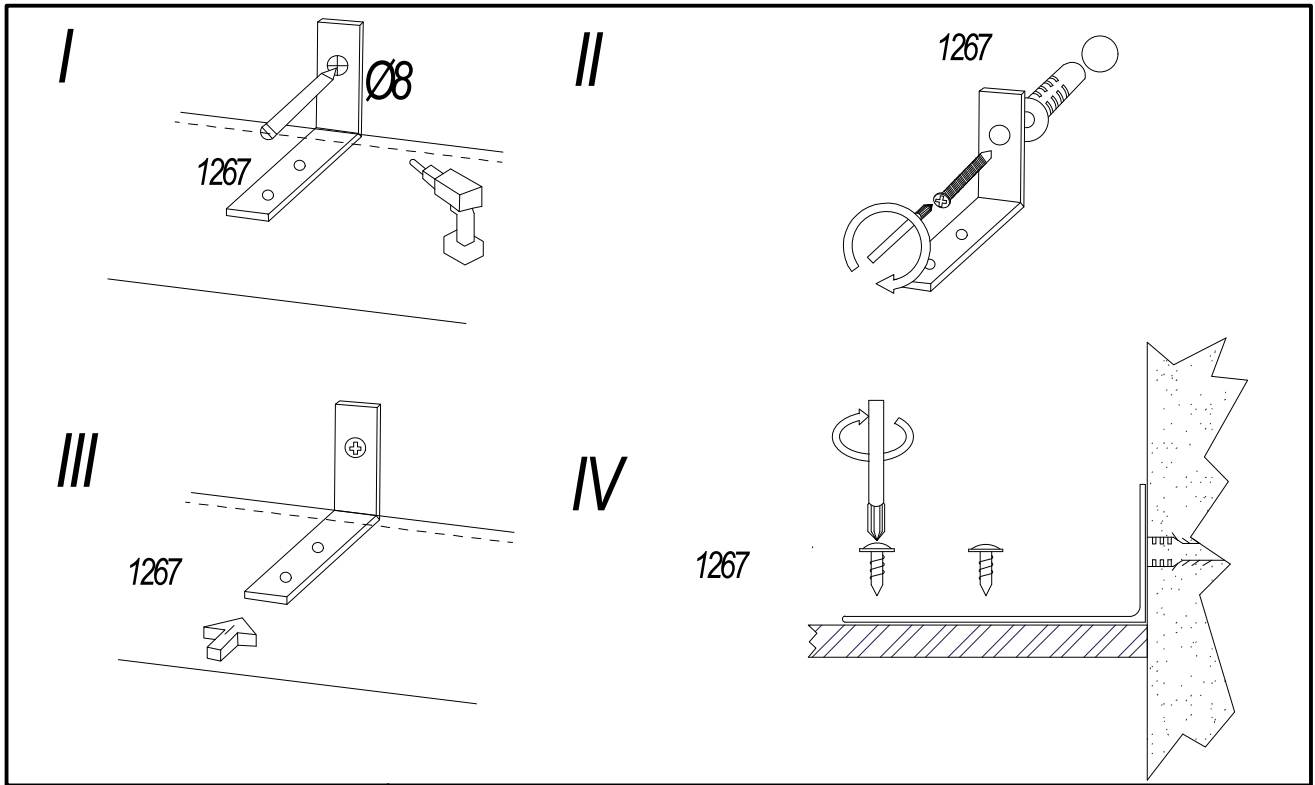
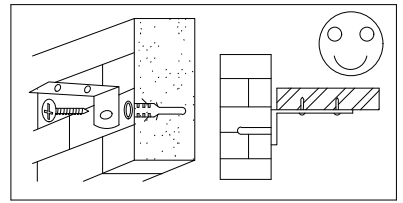
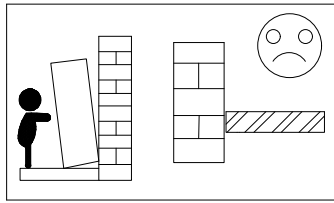
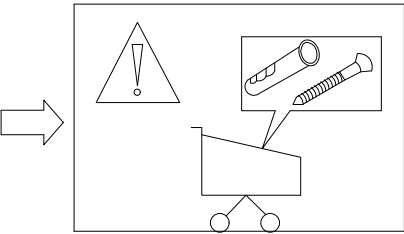
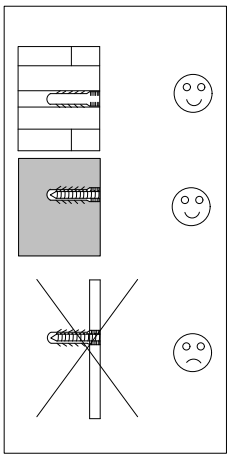
x2

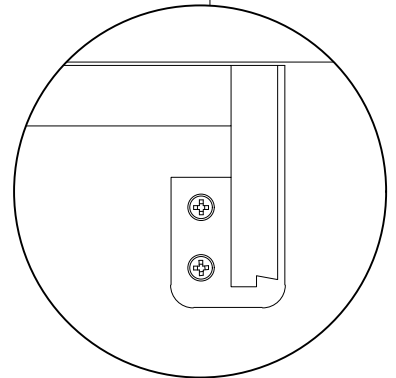
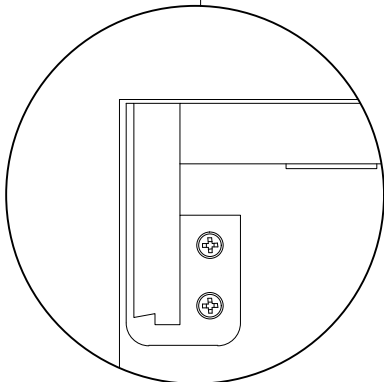
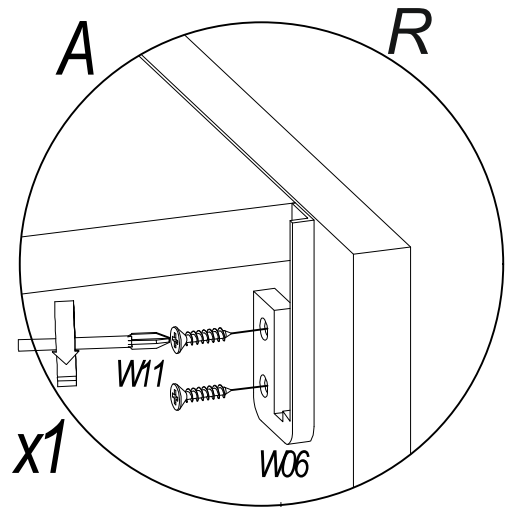
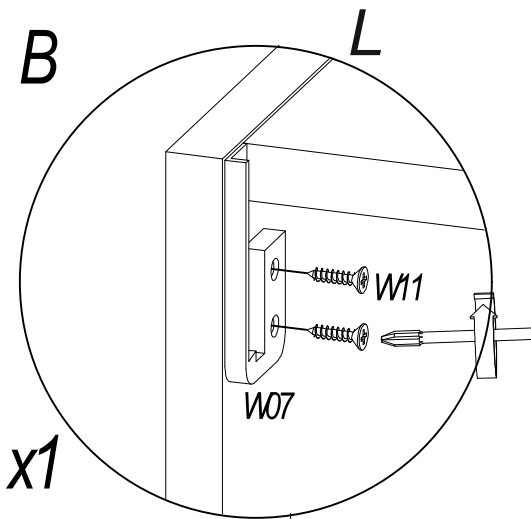
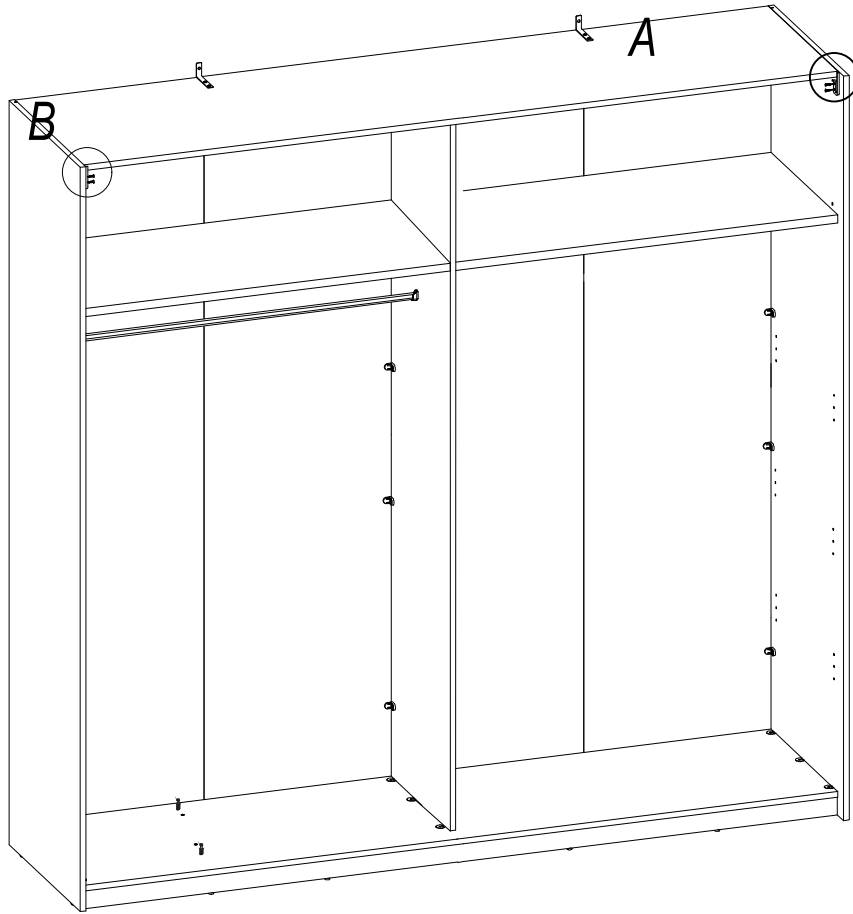


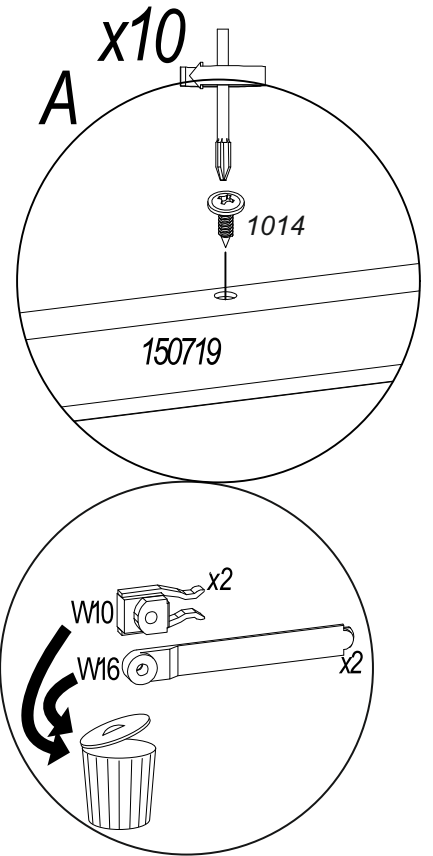
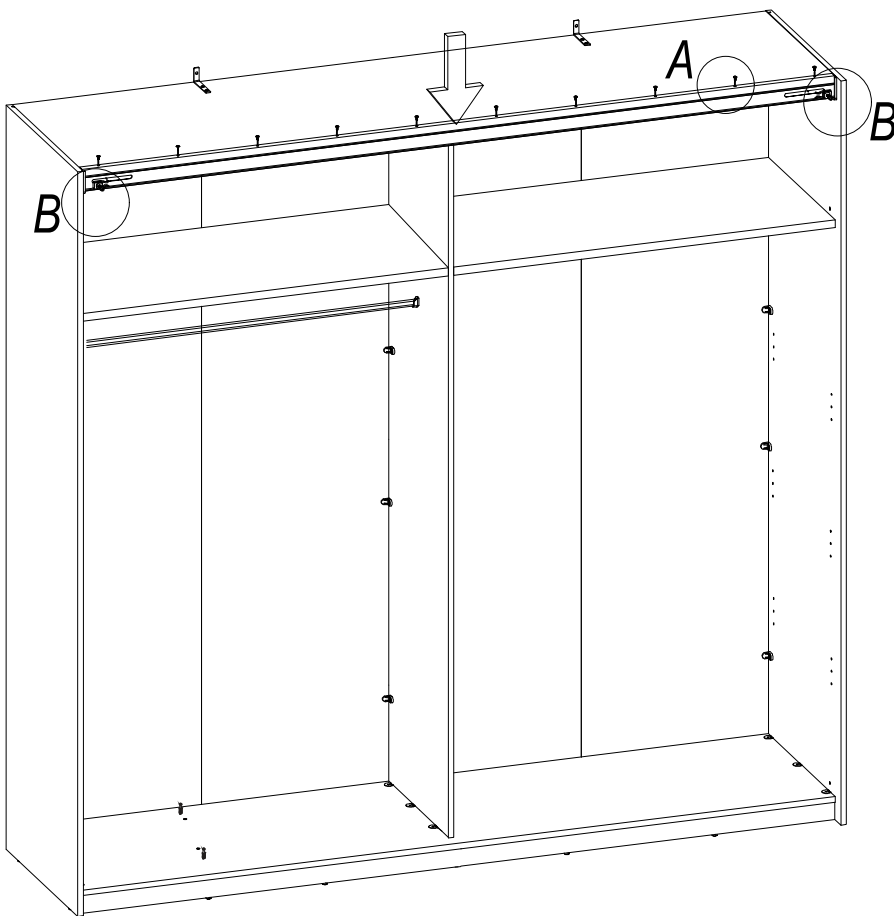






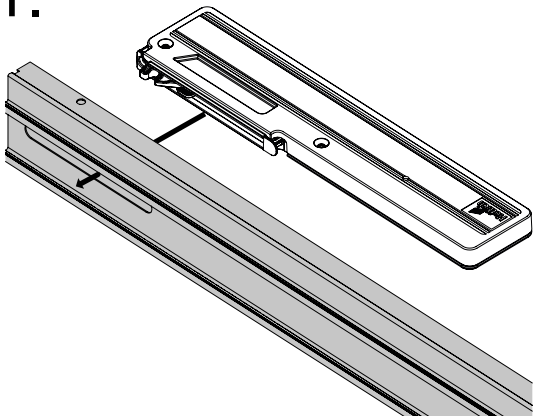




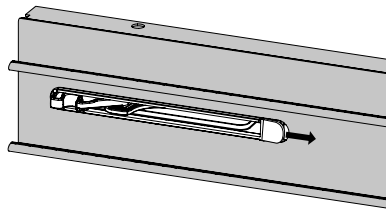


B

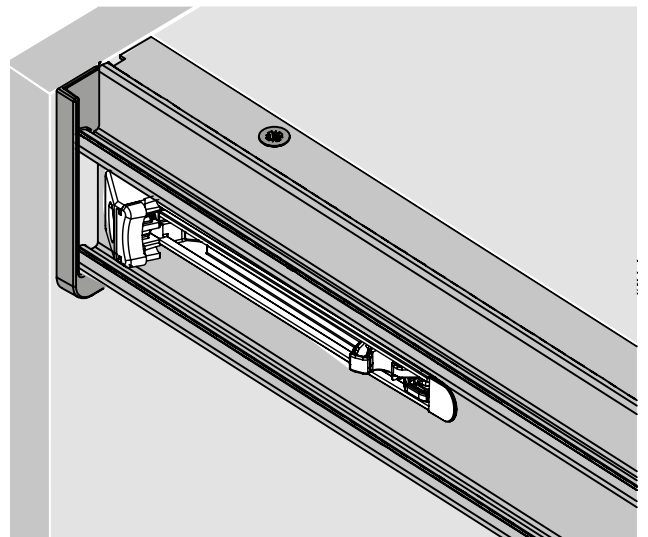
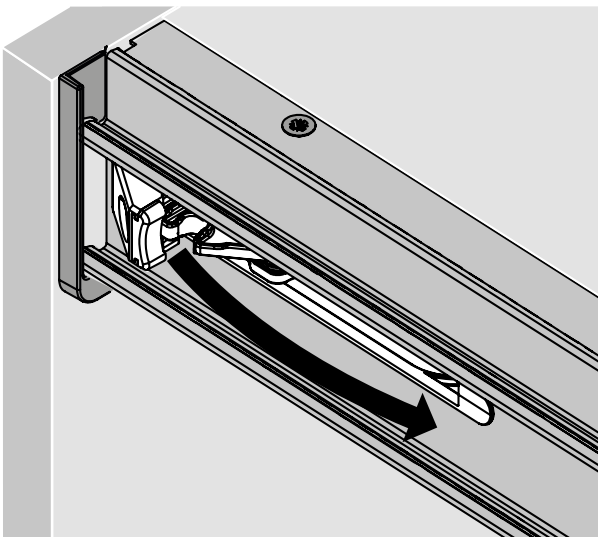
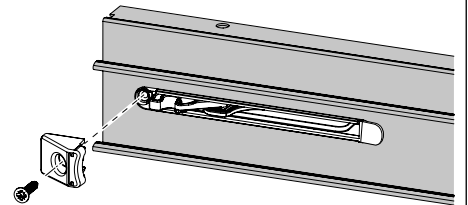
1.

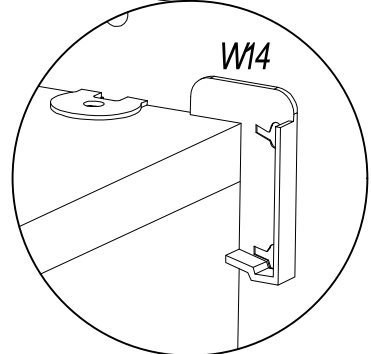
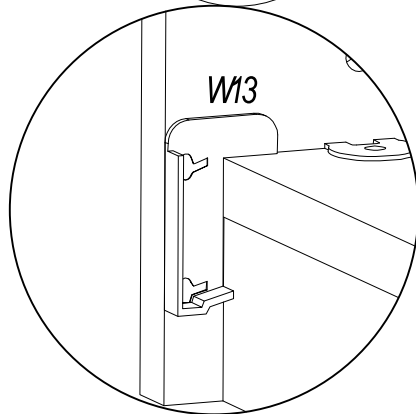
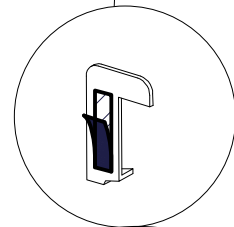
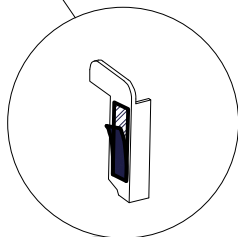
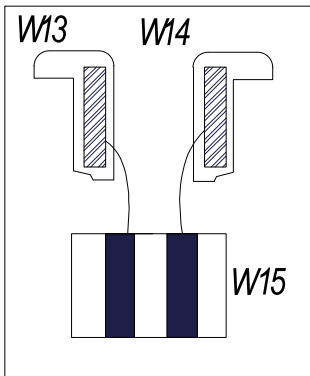
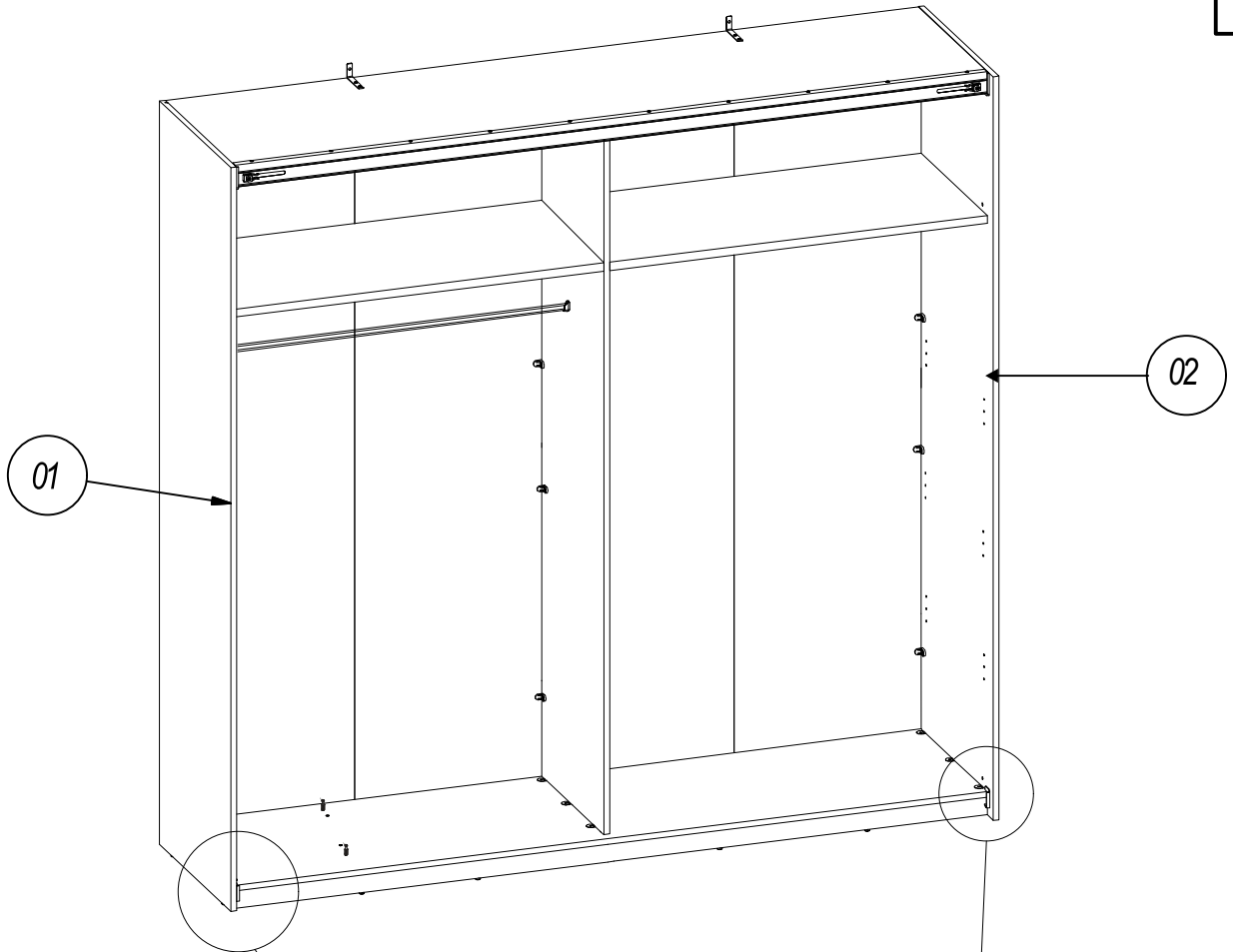


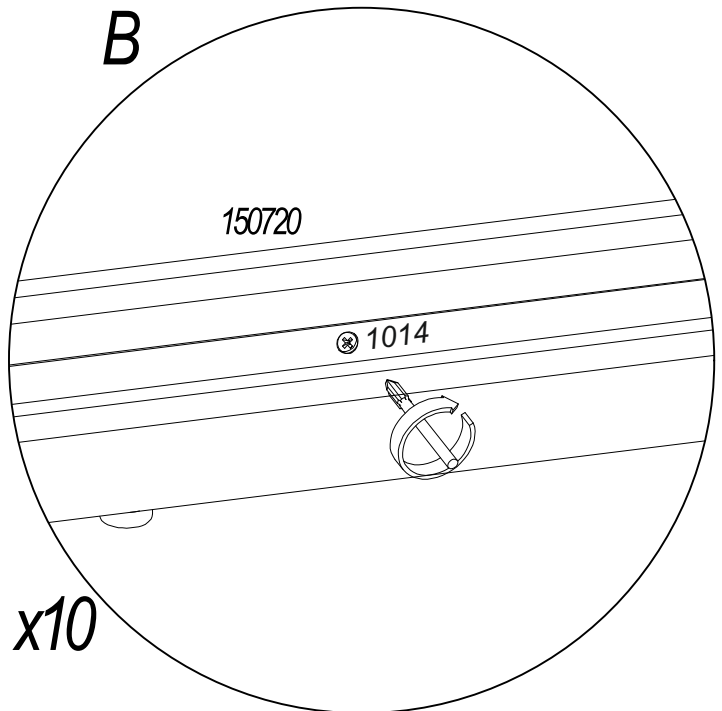
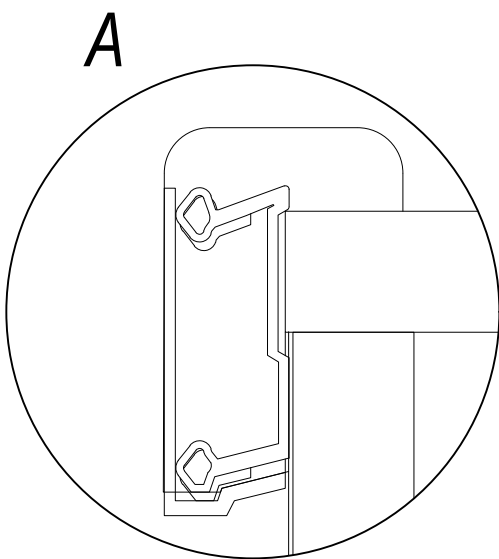
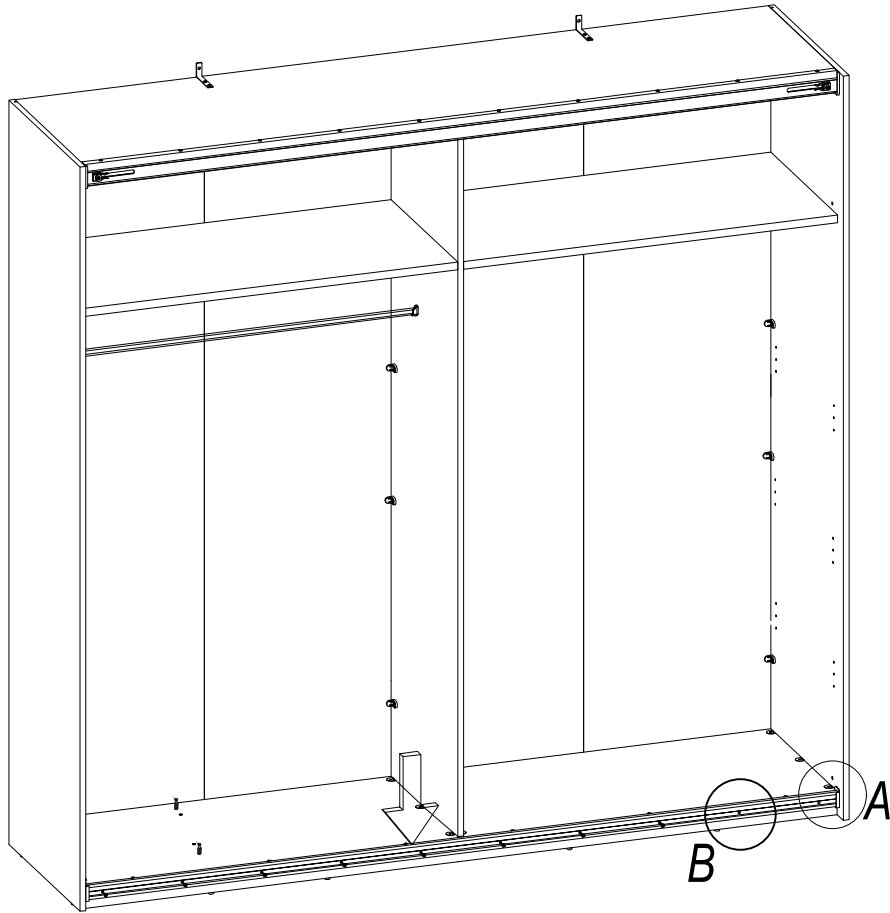
2.

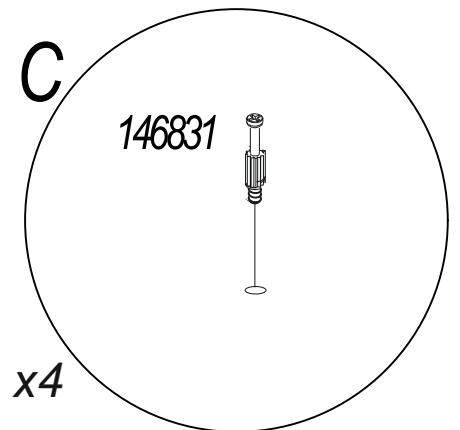
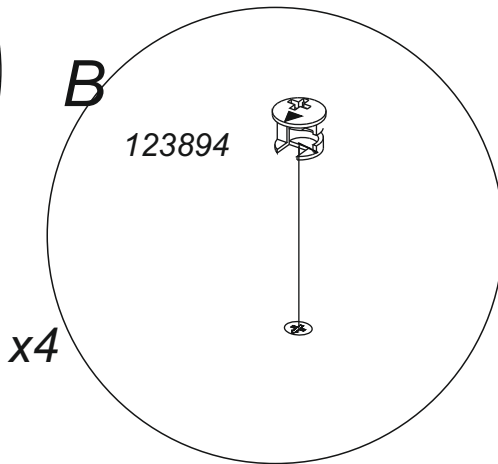
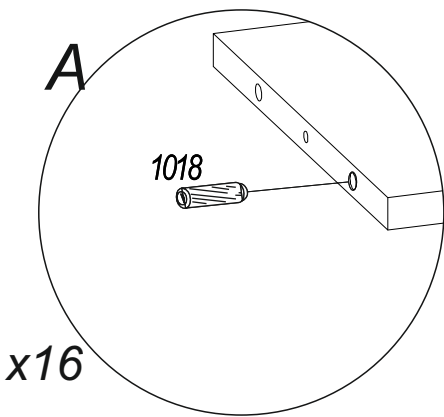
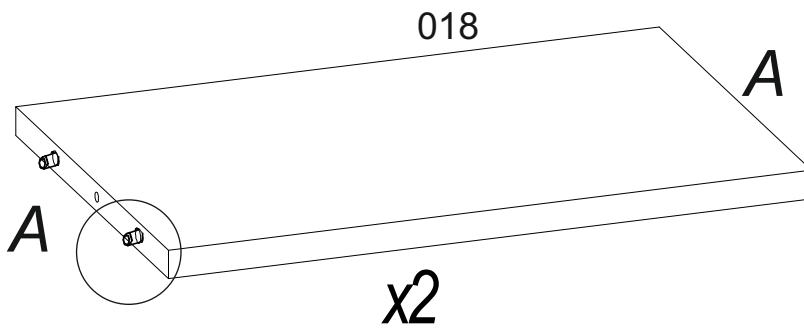
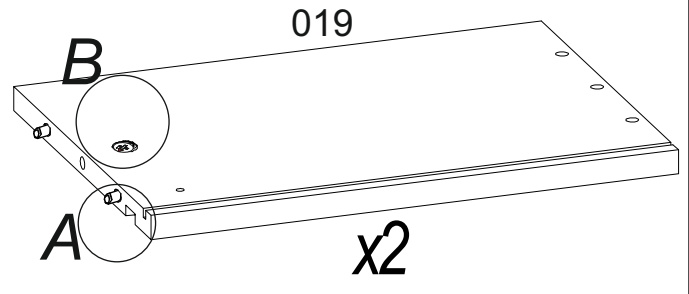
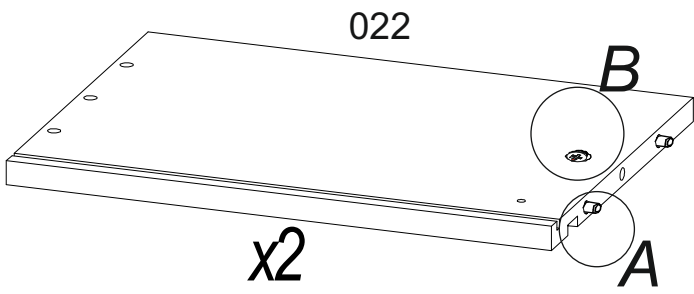
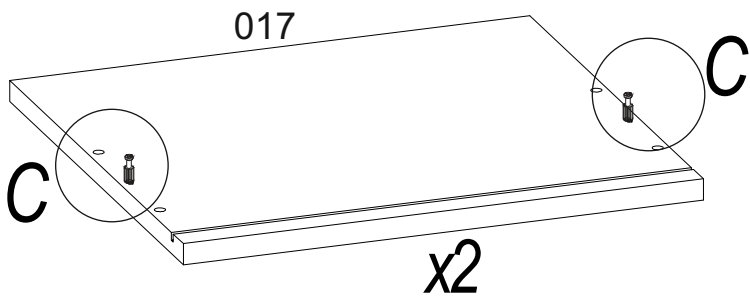


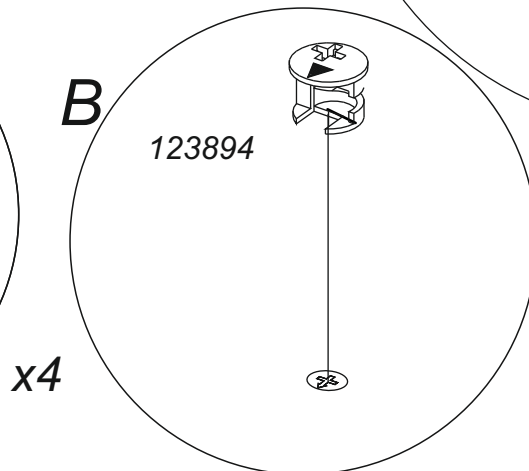
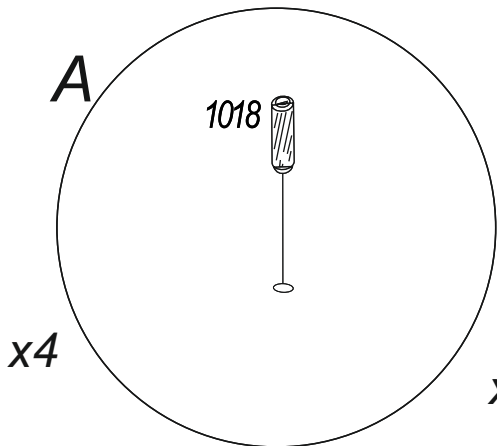
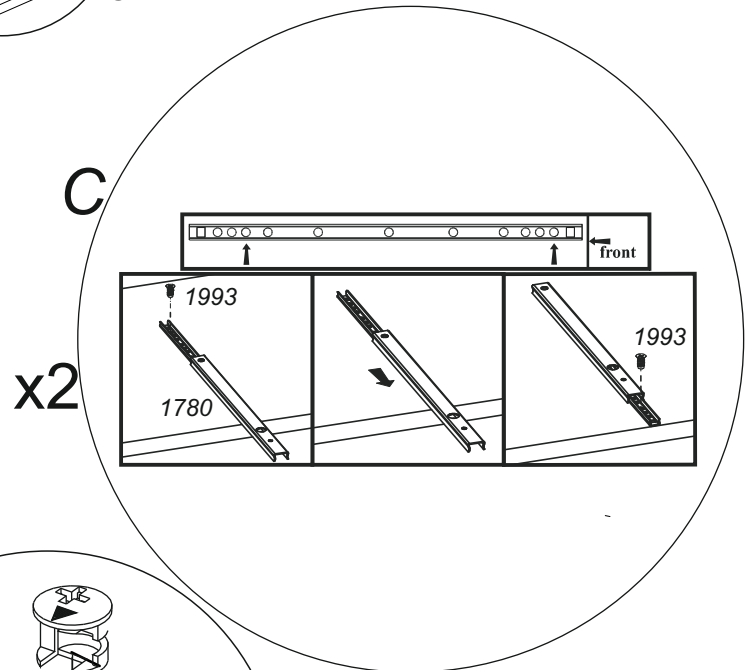
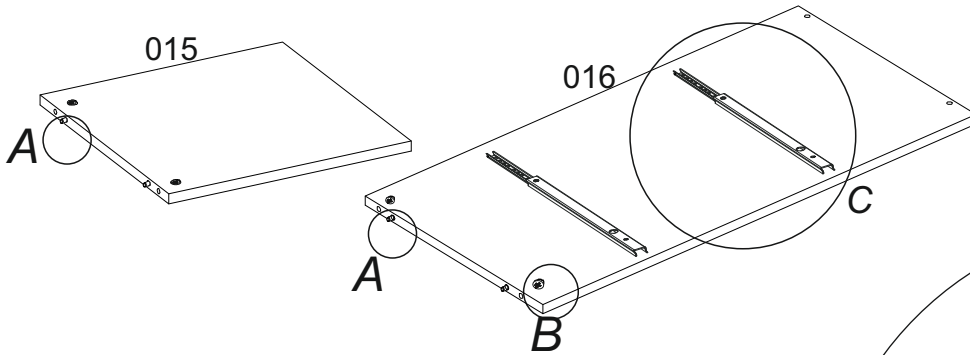
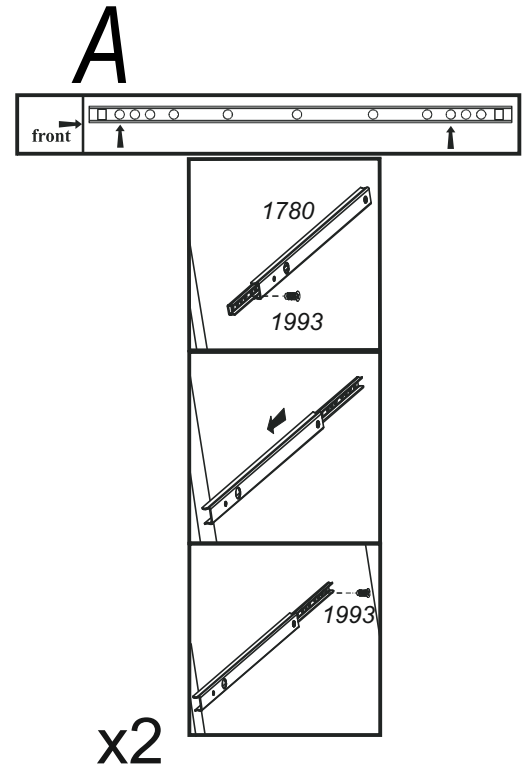
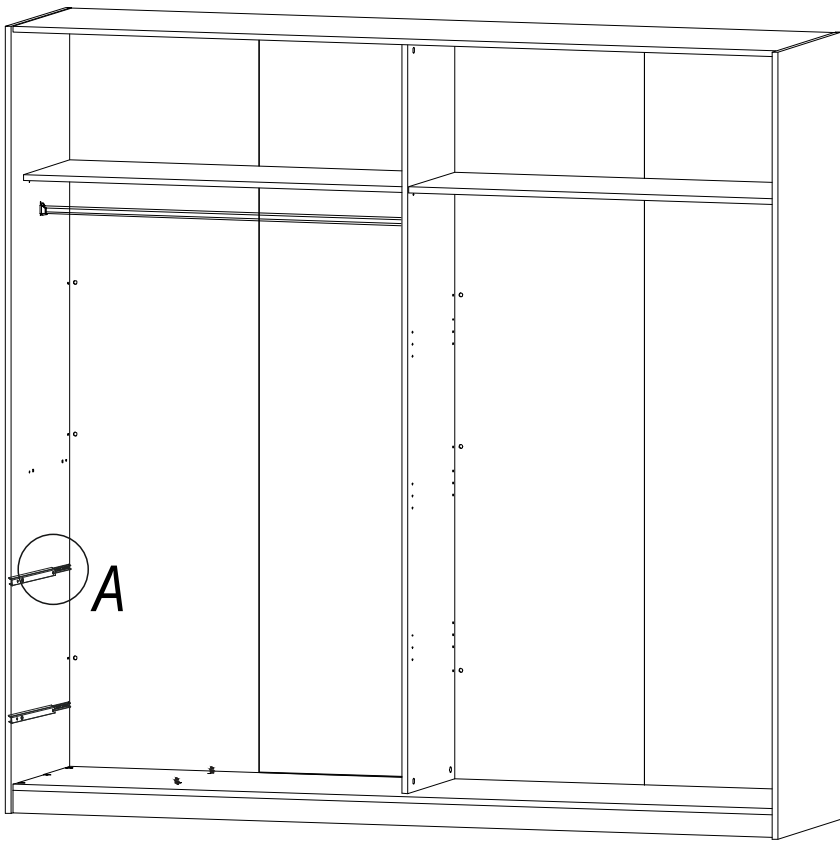
3.

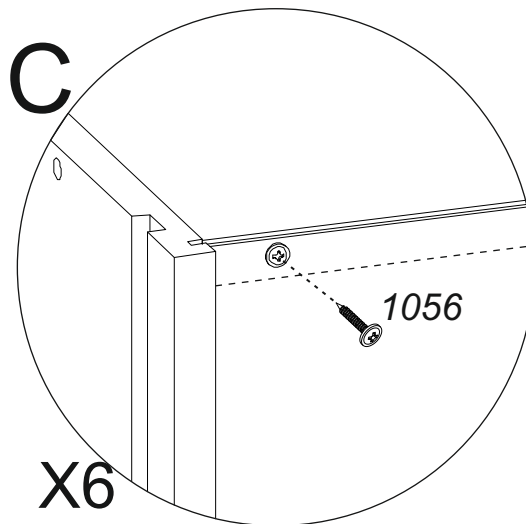
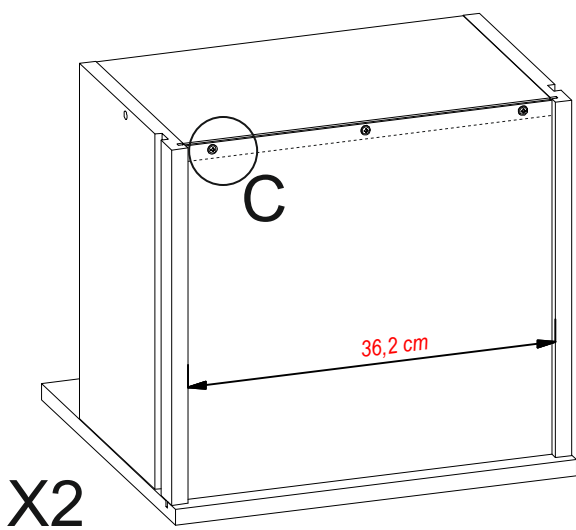
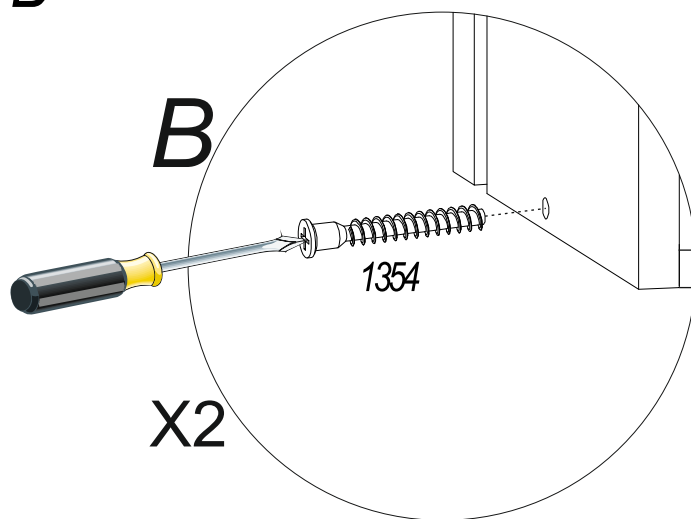
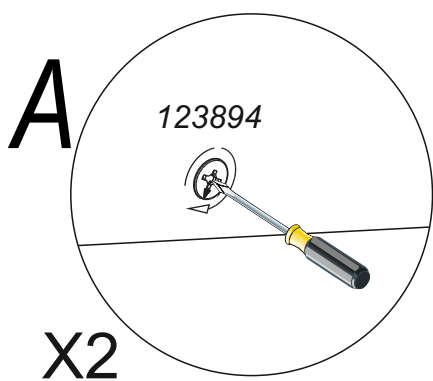
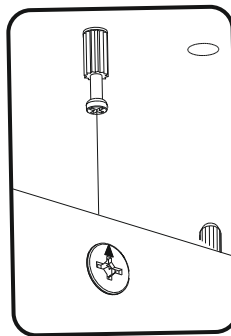
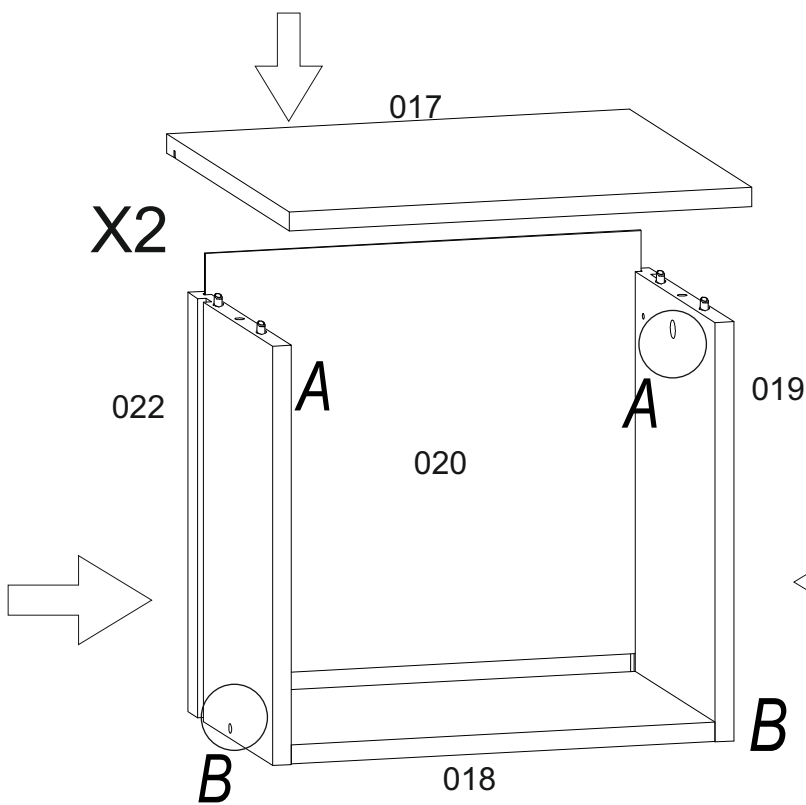




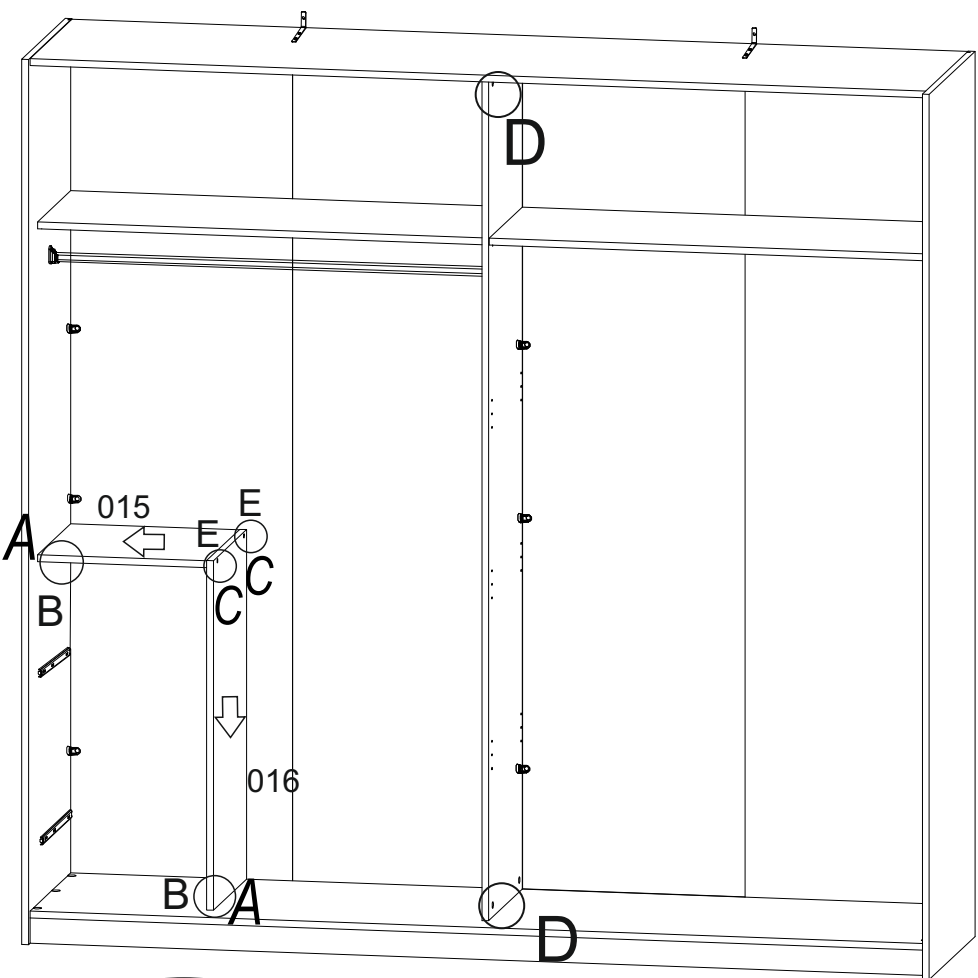
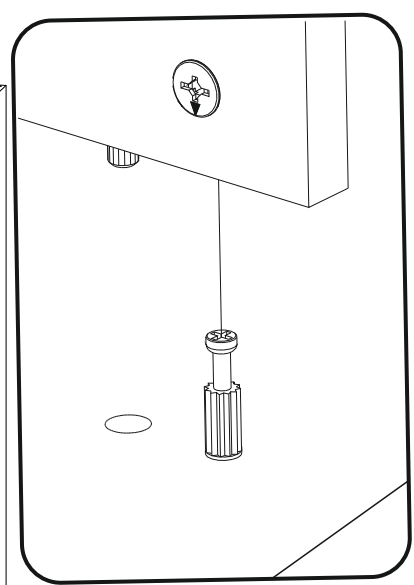




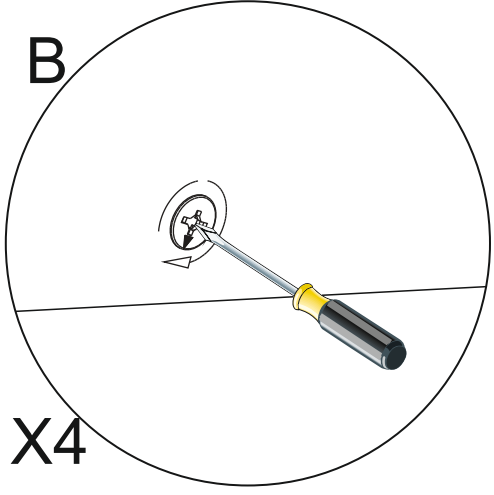




A

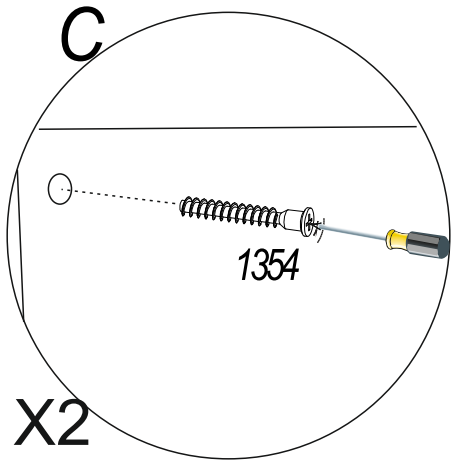


B



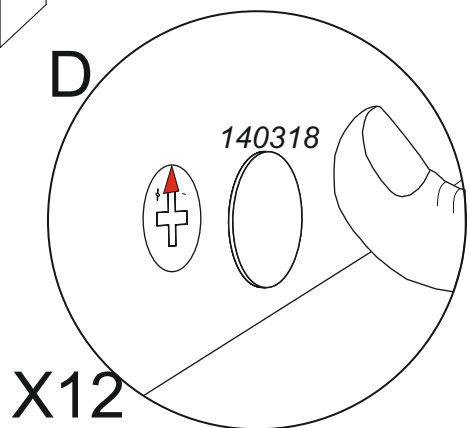
X4

C



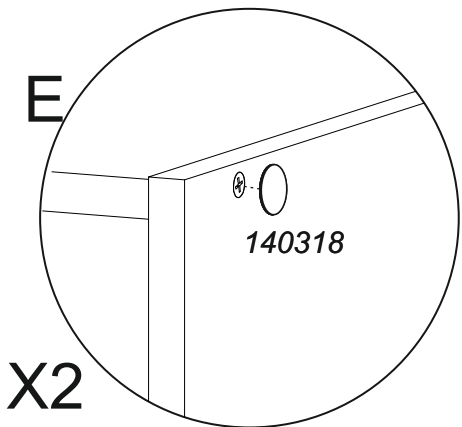
X2

D

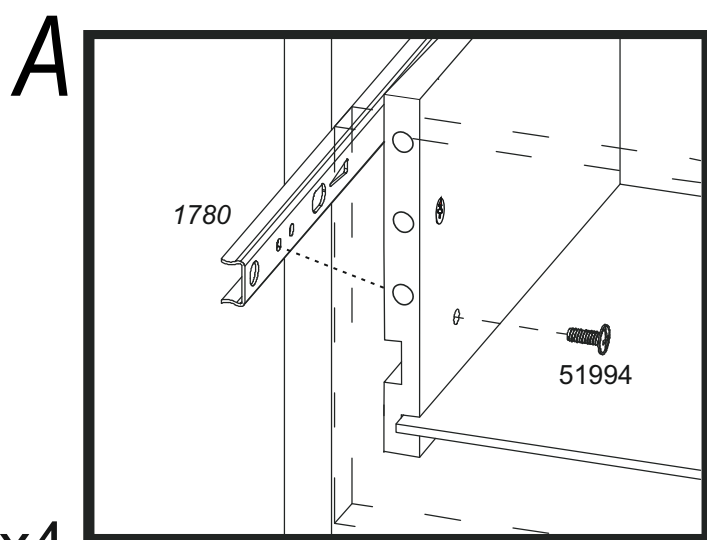
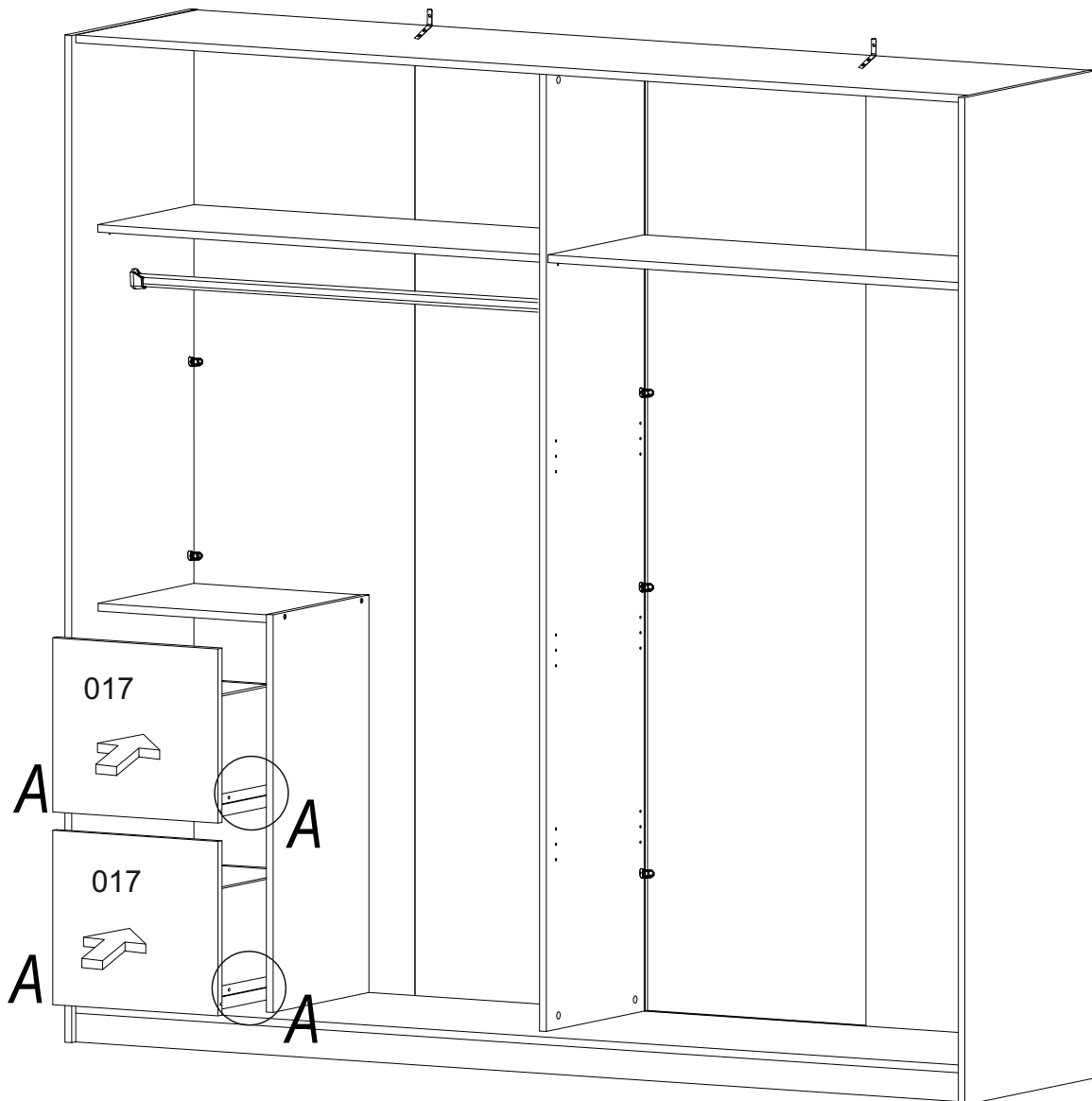


X12

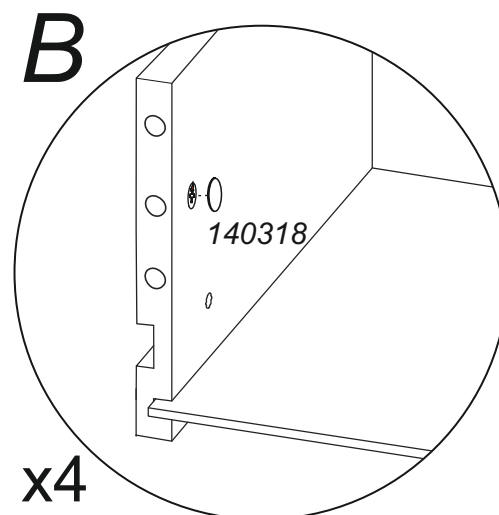
E



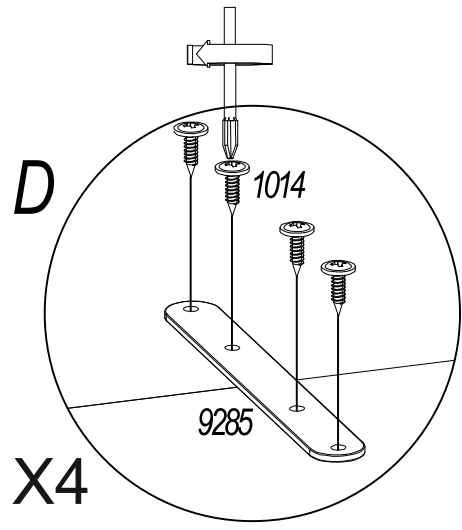
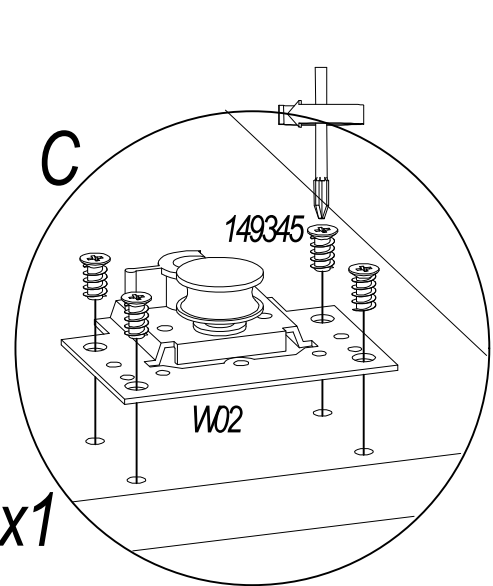
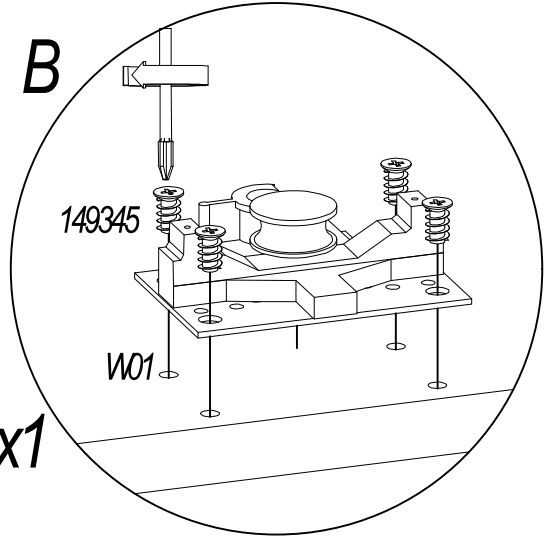
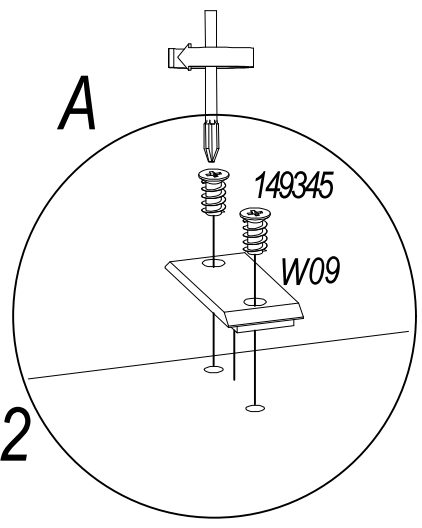
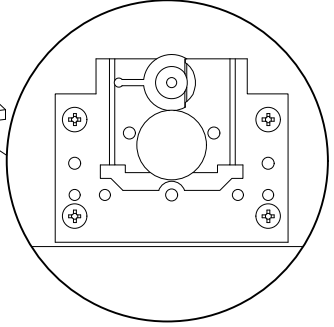
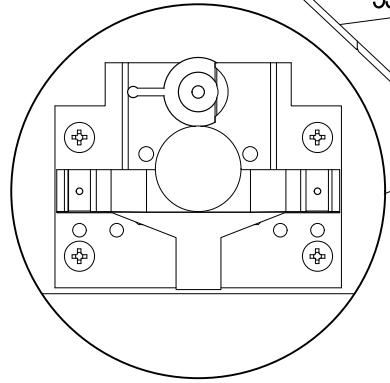
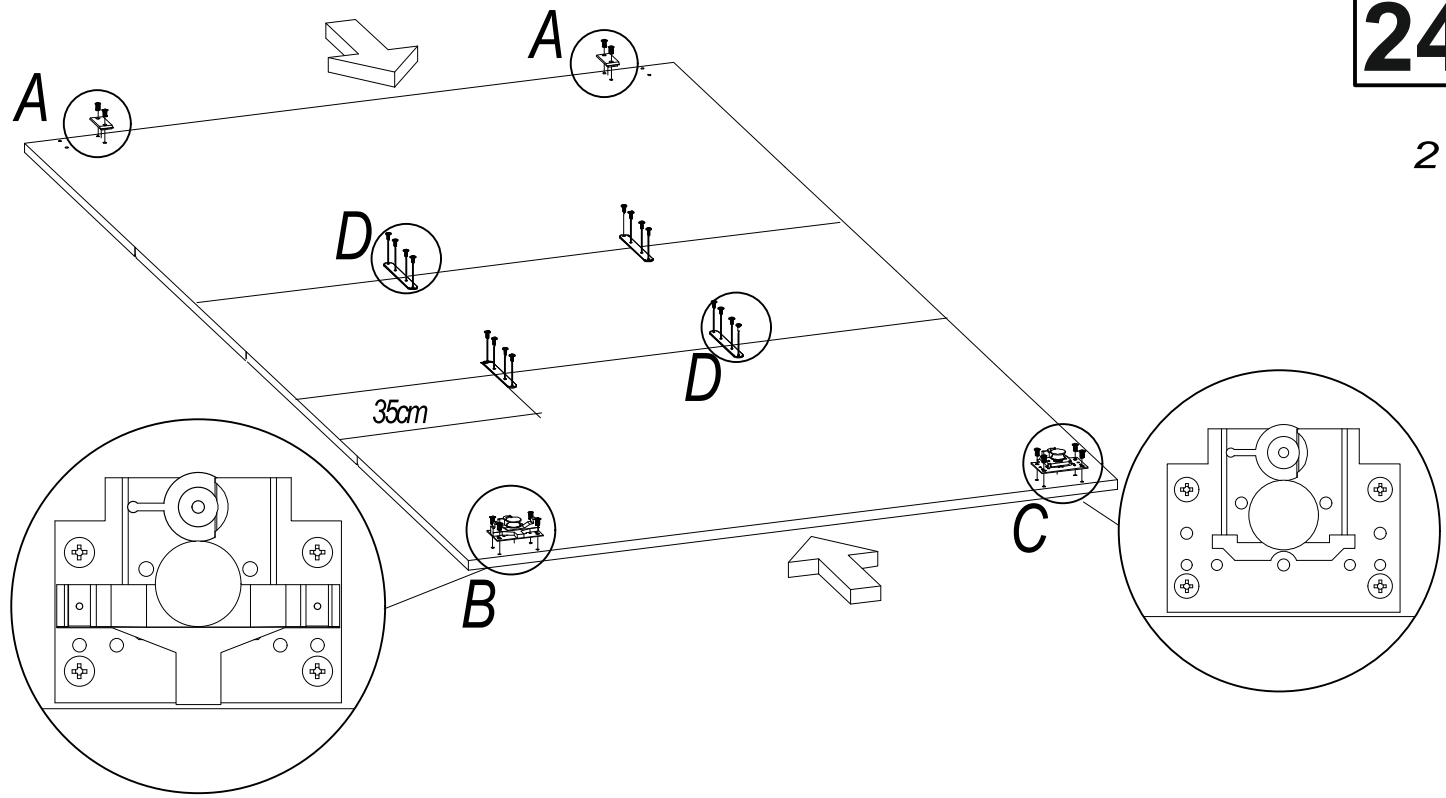
X2

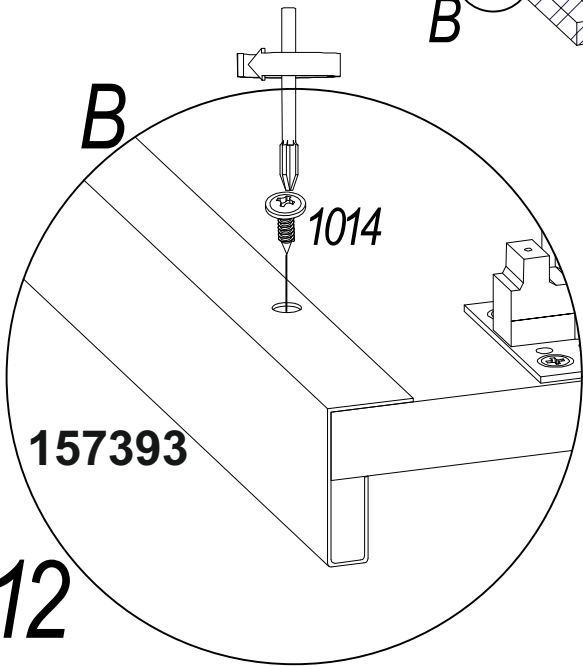
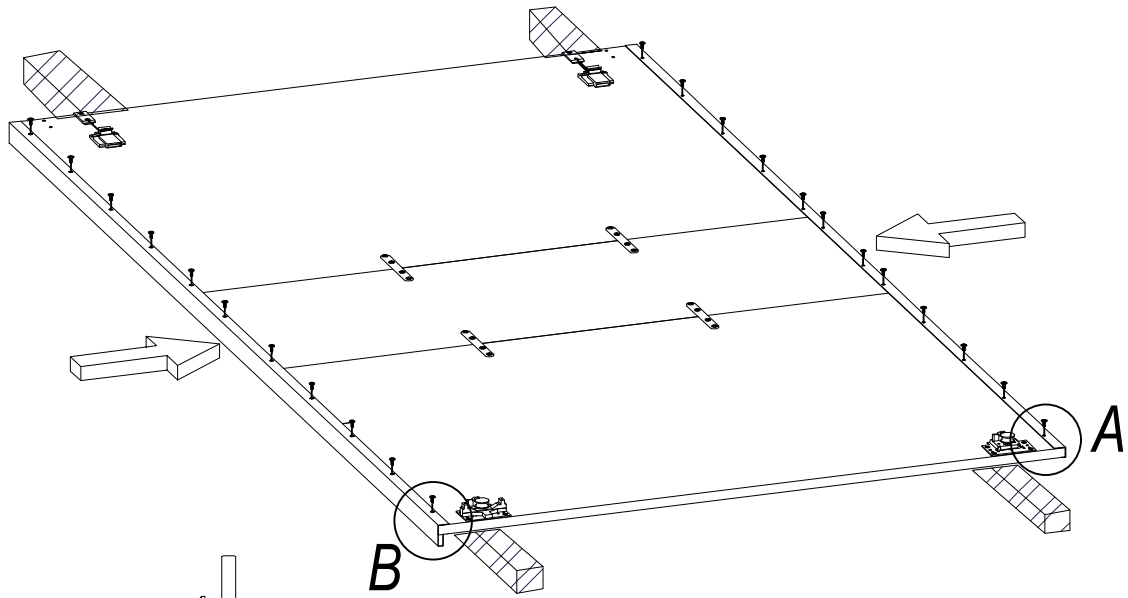


x4

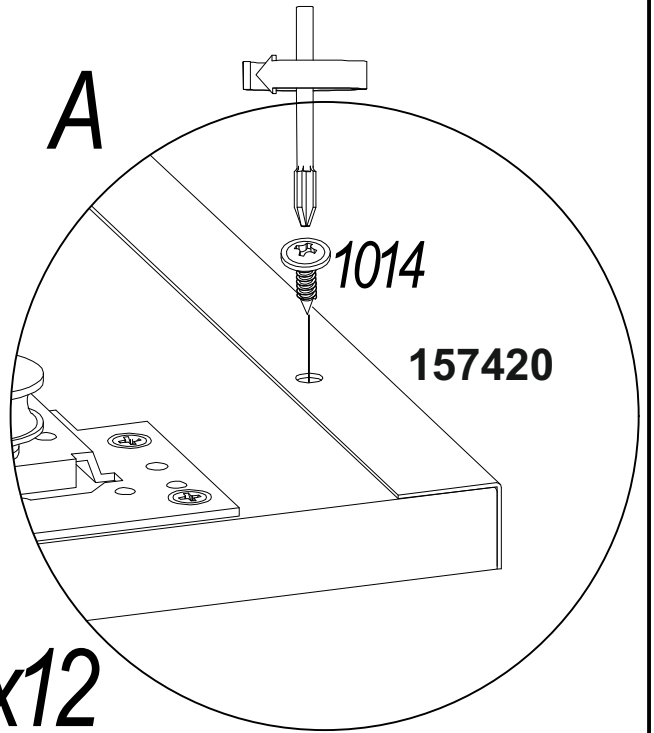


x4

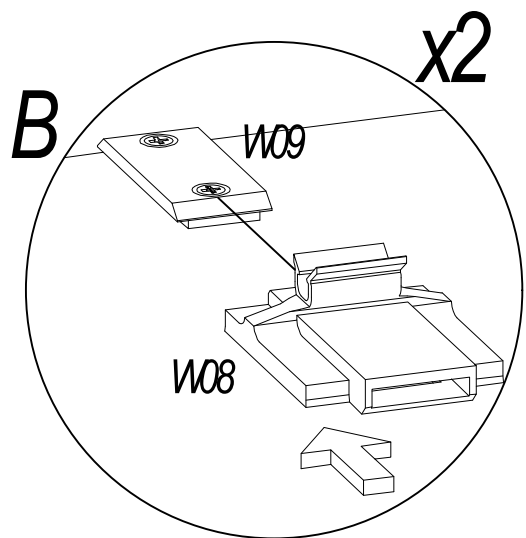
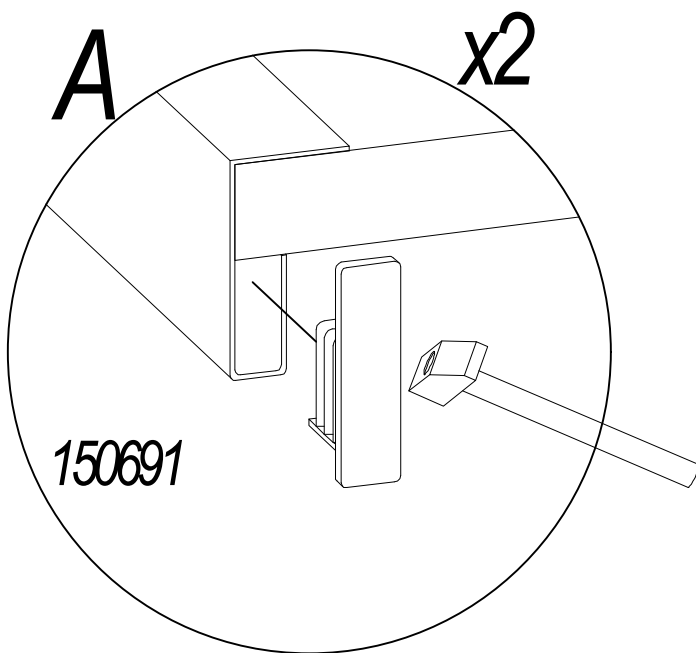
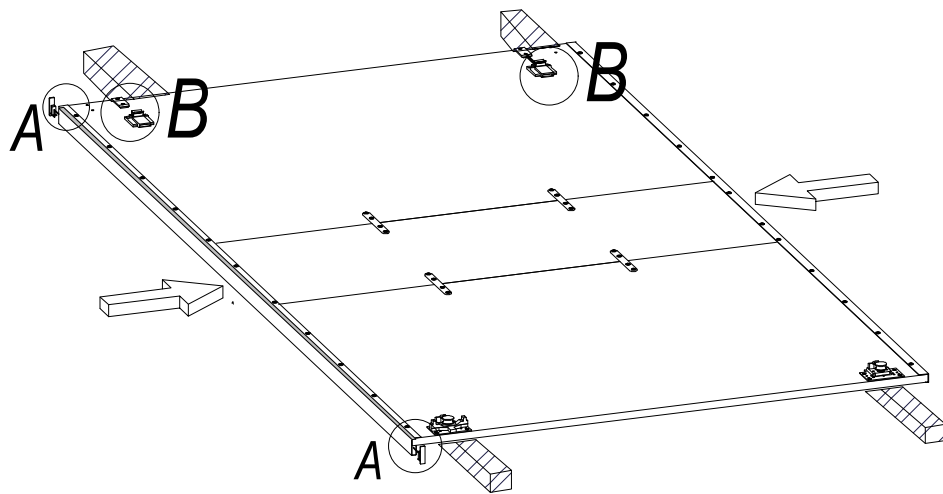


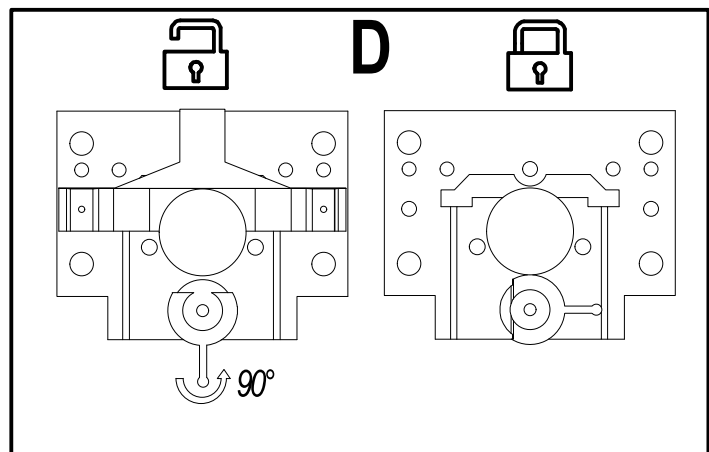
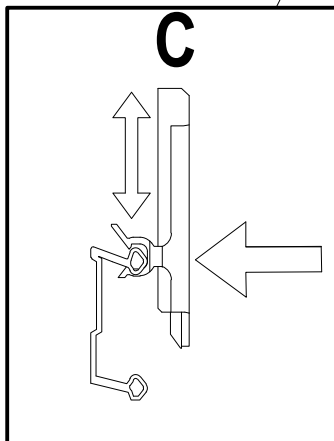
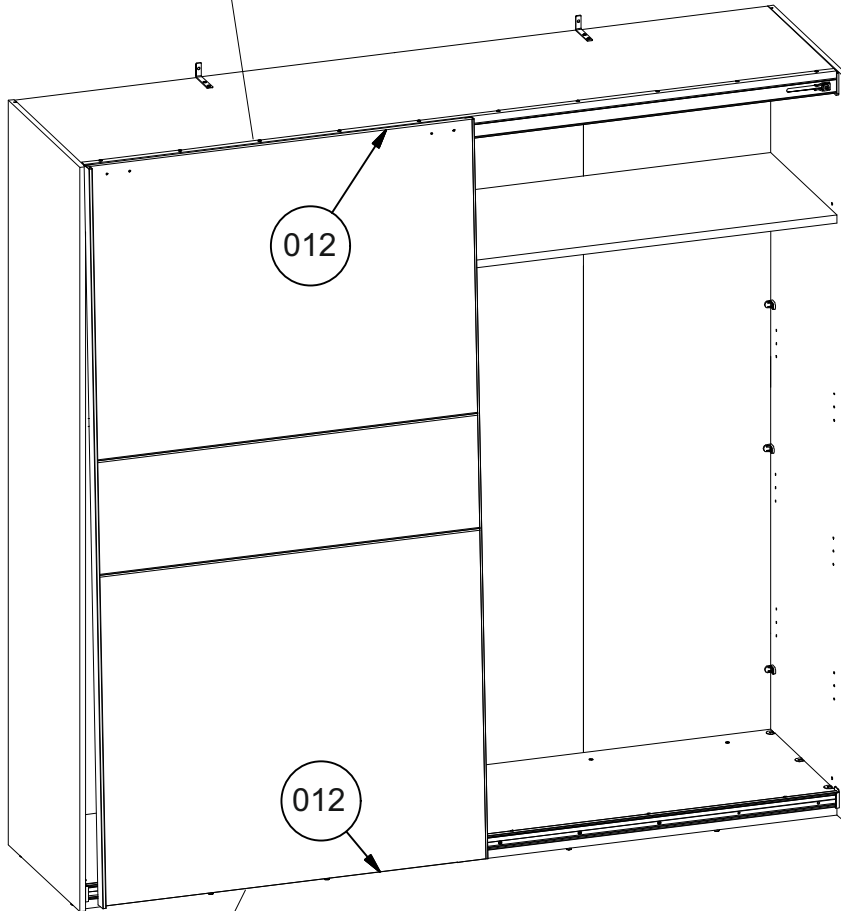
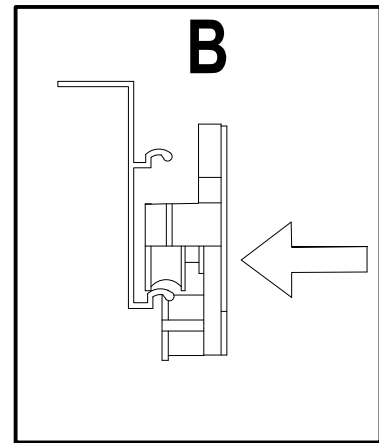
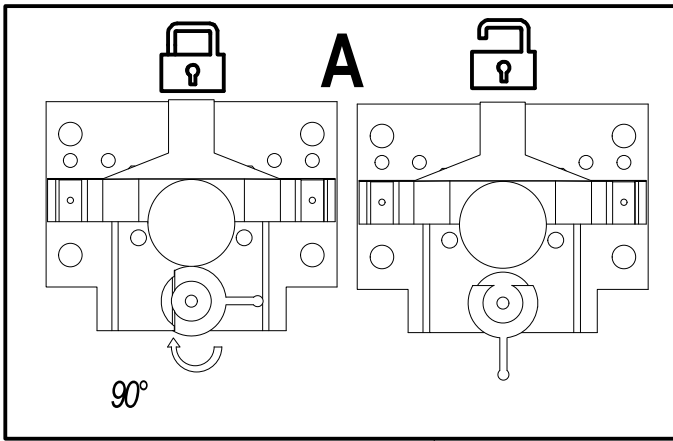


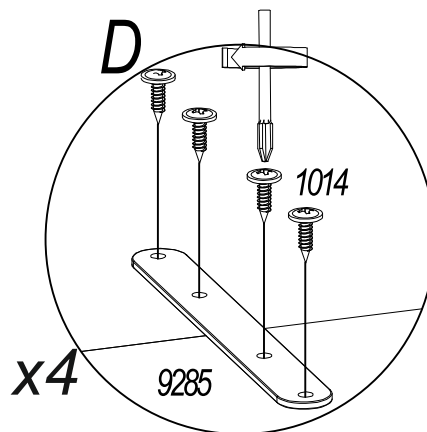
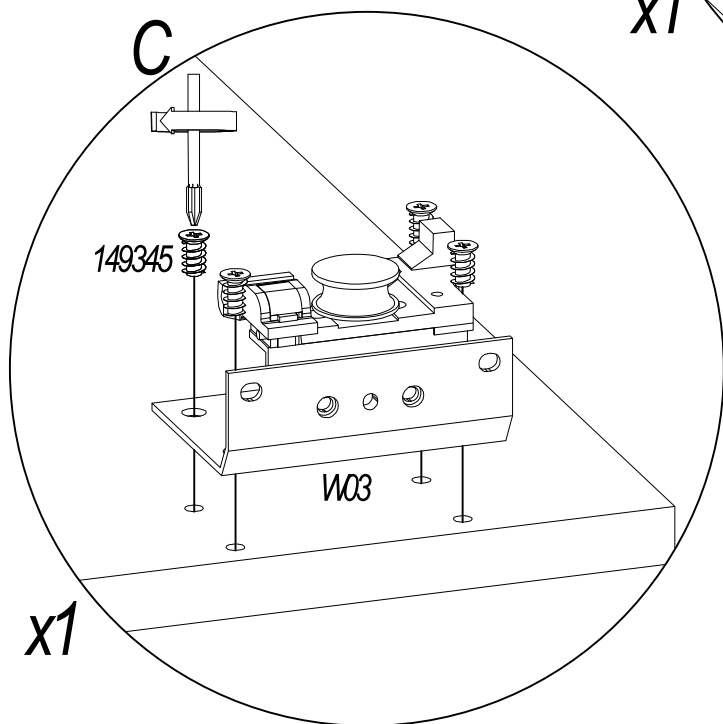
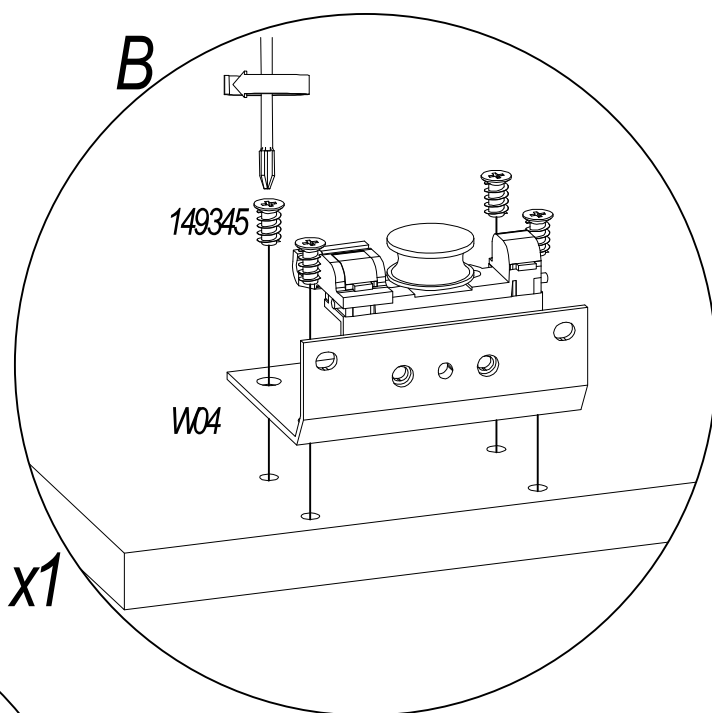
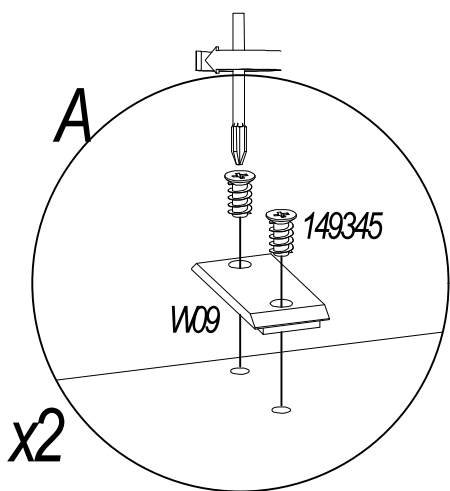
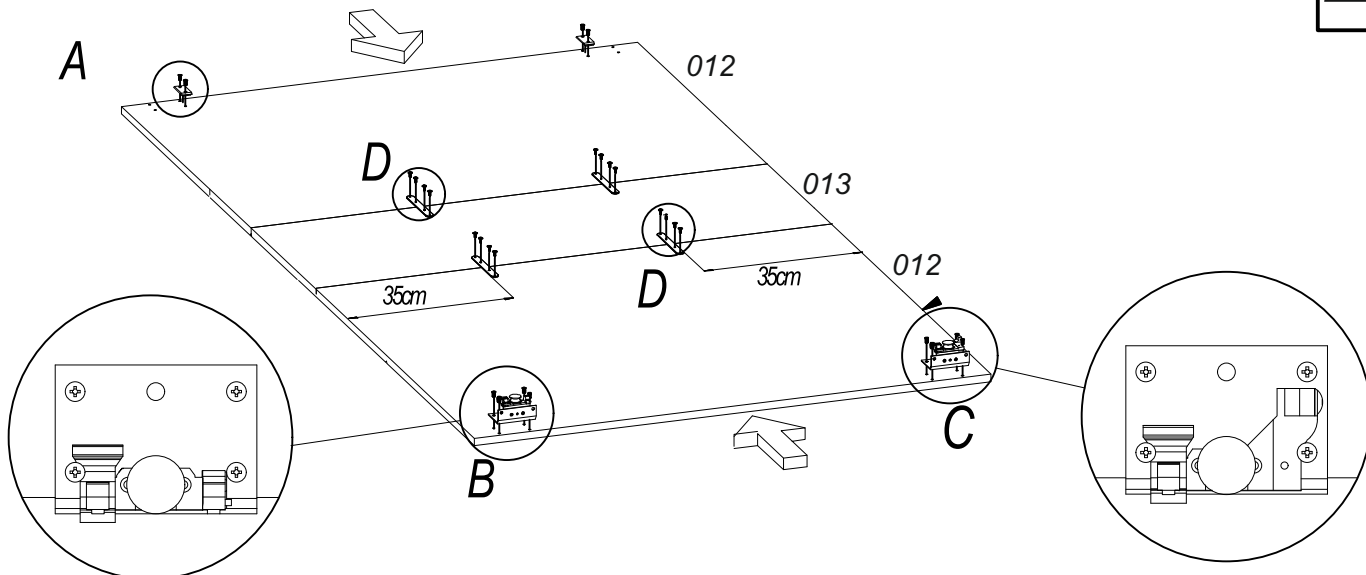
x12

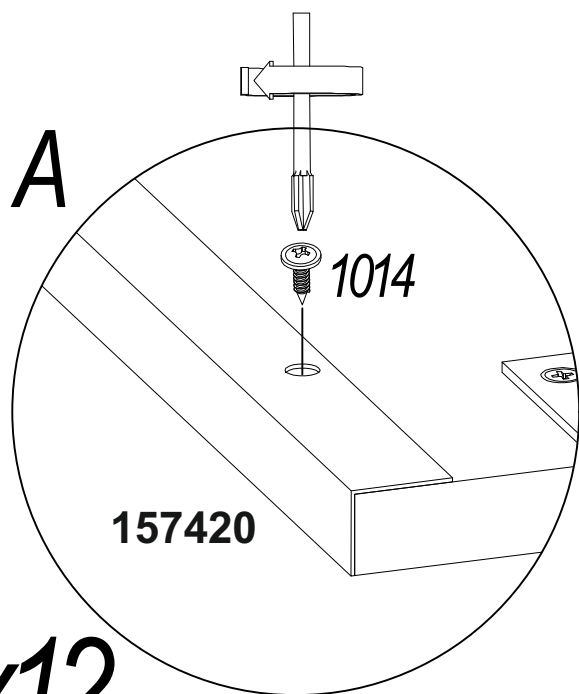
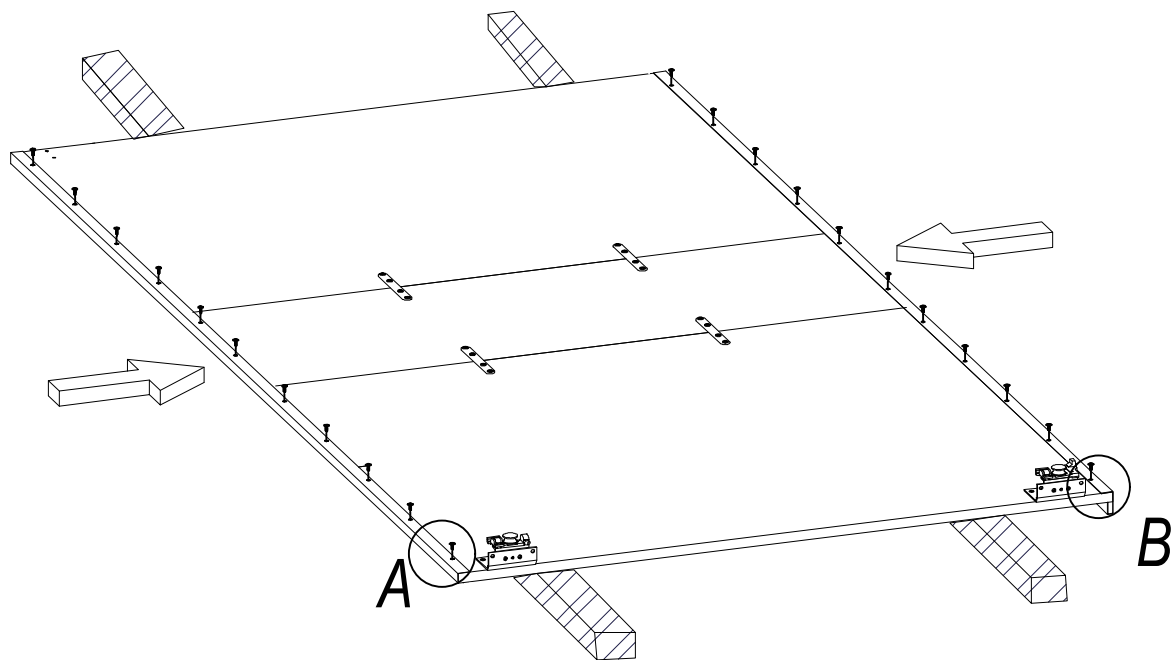


x12

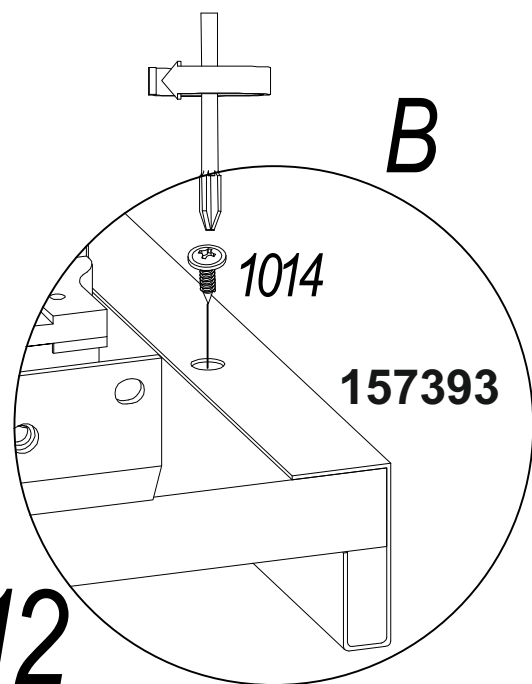








x12



x12

